



<https://www.v-p-k.ru/>

+7 (800) 777-83-75
бесплатный

Инструкция по эксплуатации

Компрессор COMPRAG FRD0510-270

Цены на товар на сайте:

<https://www.v-p-k.ru/product/frd-0510-270/>

© Comrag ®. All rights reserved.

No part of the text and /or diagram may be reprinted or used without the prior written permission of Comrag.

The manufacturer reserves the right to make changes to a product design in order to enhance its technological and operational parameters without notifying the user.

The product type may considerably differ to that displayed in documents.

+7 (800) 777-83-75(звонок бесплатный)

<https://www.v-p-k.ru/>




FRD0510-270

Table of content


- 1 Safety guidelines**
 - 1.1 Symbols used in the instructions
 - 1.2 General safety guidelines
 - 1.3 Safety precautions for start-up
 - 1.4 Safety precautions during operation
 - 1.5 Safety precautions for maintenance and repair
- 2 Technical data and functional description**
 - 2.1 Technical data
 - 2.2 General description
 - 2.3 Function diagram and main components
 - 2.4 Functional description
 - 2.5 Regulating system
 - 2.6 Electrical diagram and main components
 - 2.7 Electrical connection values
- 3 Start up**
 - 3.1 Lifting and carrying
 - 3.2 Dimensions
 - 3.3 Requirements on installation area
 - 3.4 Connection to the compressed airline
 - 3.5 Connection to power supply
- 4 Operation**
 - 4.1 Controller and operating panel
 - 4.2 Error indication
 - 4.3 Starting the compressor
 - 4.4 Switching off the compressor
- 5 Maintenance**
 - 5.1 Maintenance schedule
 - 5.2 Checking oil level
 - 5.3 Checking drive belt
 - 5.4 Replacing oil and oil filter
 - 5.5 Replacing air filter
 - 5.6 Changing drive belt
 - 5.7 Changing air-oil separator
 - 5.8 Cleaning radiator
 - 5.9 Checking suction valve
 - 5.10 Servicing bearings of electric motor
- 6 Fault handling**
 - 6.1 Faults and corrective actions
- 7 Storage and disposal**
 - 7.1 Storage conditions
 - 7.2 Disposal of oils and process condensate.


1. Safety guidelines

1.1 Symbols used in the instructions.

	Lethal hazard.
	Warning.
	Attention.

1.2 General safety guidelines.

	Carefully familiarise yourself with the technical documentation, operating instructions and safety guidelines. Most accidents associated with the use of compressor equipment occur as a result of non-compliance with safety guidelines. Prevent hazards from developing and adhere to the safety guidelines. The main rules are given in the following section.
---	---

	The user is solely liable for injuries or damages which occur due to non-compliance with safety guidelines during installation, operation or servicing, as well as unauthorised use of equipment!
--	---

1. The operator must stringently adhere to safety guidelines provided for by these instructions and local legislation!
2. When choosing between these safety guidelines and the regulations provided for by local legislation, those rules which provide for more stringent requirements shall apply.
3. Only trained maintenance personnel with the relevant level of professional training are permitted to operate, service and repair Comprag equipment.
4. Compressed air flowing immediately from the compressor may contain oil and impurities and is not suitable for breathing! Compressed air has to be purified to an air purity grade suitable for breathing, in accordance with the standards prescribed by local legislation.

5. Compressed air is an extremely hazardous energy source. Compressed air must not be used for unintended purposes! Do not use it to clean clothing and footwear and never point compressed air hoses at people and animals! When using air to clean equipment, take extra caution and wear safety goggles!

6. All maintenance, repair, setup and installation work etc. must be performed while the equipment is turned off, disconnected from the power source, with compressed-air hoses disconnected from the equipment, and with the use of safety goggles! Ensure that equipment is disconnected from the compressed air system and is not under pressure.

1.3 Safety precautions for start-up



The user is solely liable for injuries or damages which occur due to non-compliance with safety guidelines during installation, operation or servicing, as well as unauthorised use of equipment!

1. Equipment must only be unloaded/loaded using the appropriate handling devices or hoisters. Equipment must not be manually lifted or moved. Do not leave equipment suspended. Use a helmet during unloading operations.
2. Arrange the equipment in a dry and clean facility which provides shelter from precipitation. The facility must be well ventilated, and forced ventilation should be provided if necessary.
3. Worn, damaged or spoiled compressed-air hoses should not be used. Ensure that hoses correspond to the equipment in terms of nominal diameter and working pressure.
4. When using several compressor stations in a system, each compressor must have a manually operated valve for cutting off any of the compressors in the case of emergency.
5. Explosive and fire-hazardous admixtures such as solvent vapours and carbon dust etc. must not be released into the atmosphere.
6. Ensure unrestricted access to the compressed-air hose from the compressor. Do not clutter it and do not store flammable materials in its immediate vicinity.
7. Do not pinch or deform the compressed-air feed hoses.
8. Do not cover holes used to provide equipment with air for cooling. Ensure the facility is well ventilated.
9. When using remote control, the equipment must give a legible and clear warning of this: 'ATTENTION: this machine is being controlled remotely and may start operating without warning!' An operator who is remotely controlling equipment must ensure that no installation or other work is being performed with the equipment at that moment. Once the equipment is turned off remotely, the operator must ensure that the equipment is actually turned off!
10. Equipment must be earthed. Provide short-circuit protection. The starting knife switch must be in the immediate vicinity of the equipment and protect against unauthorised start-up.



The user bears full responsibility for compliance with the operating conditions of the electrical motor installed in the equipment. Equipment must be used with protection devices. The protection devices must protect the electric motor from short circuits, overloading (systematic and start-up) and open-phase conditions. Installation of protection devices is the responsibility of the user.

11. There must be an information plate affixed next to the control panel on equipment with an independent control system featuring an automatic restart function: 'ATTENTION: This machine may start operating without warning!'

12. Any tanks and vessels working under pressure must be fitted with safety-relief valves! Unauthorised installation, disassembly or adjustment of attached safety-relief valves is not allowed.

1.4 Safety precautions during operation



The user is solely liable for injuries or damages which occur due to non-compliance with safety guidelines during installation, operation or servicing, as well as unauthorised use of equipment!

1. Ensure that hoses correspond to the equipment in terms of nominal diameter and working pressure. Check the attachment of every hose coupling before start-up. An insecurely fastened hose may cause serious injury.

2. Never turn on equipment if you suspect the presence of highly flammable impurities in the air!

3. The operator remotely controlling equipment must ensure that no installation or other work is being performed with the equipment at that moment! An information plate must be affixed to the equipment in relation to this: 'ATTENTION: this machine is being controlled remotely and may start operating without warning!'

4. An operator is not allowed to operate equipment if the operator is fatigued, in a state of intoxication from alcohol, drugs or medicine that reduces the body's reaction time.

5. The equipment must not be operated if parts of the casing have been removed. Doors or panels may be opened for short durations for inspection and scheduled checks. It is advisable to wear hearing protection.



In some types of equipment, open doors or removal of panels during operation may lead to overheating.

6. Personnel in conditions or a facility where the sound pressure level reaches or exceeds 90 dB (A), must wear ear protectors.

7. If the air used for cooling equipment is used while the facility is being heated, undertake measures for it to be filtered so that it is suitable for breathing.

8. Regularly check that:

- safety devices and attachments are in place;
- all hoses and pipes are in good condition and sealed;
- there are no leaks;
- brackets and structural components are tightened;
- all electrical cables and contacts are in good condition and safe to use;
- safety devices are fully functional and there is no contamination etc;
- all structural components are in working order, with no signs of wear and tear.

1.5 Safety precautions for maintenance and repair



The user is solely liable for injuries or damages which occur due to non-compliance with safety guidelines during installation, operation or servicing, as well as unauthorised use of equipment!

1. Only original spare parts and ancillary items may be used. Using spare parts from other manufactures may lead to unpredictable results and consequently accidents.
2. When performing installation and repair work, always wear goggles!
3. Before connecting or disconnecting equipment, disconnect it from the main pneumatic system. Ensure that the hoses aren't under pressure!
4. Before beginning installation or other work, ensure that equipment is not pressurised. Installation work must not be carried out on equipment under pressure.
5. All maintenance work should be carried out only when the temperature of all structural elements falls to room temperature.
6. Never use highly flammable solvents or carbon tetrachloride for cleaning structural elements. When wiping, take precautions against the poisonous vapours of cleaning fluids.
7. When carrying out installation and repair work, an information plate should be affixed to the control panel to warn against unauthorised start-up. For example, "Do not turn on. Personnel operating!"
8. The operator remotely controlling equipment must ensure that no installation or other work is being performed with the equipment at that moment! An information plate must be affixed to the equipment in relation to this: See 1.3.9.
9. Maintain cleanliness in the facility where the equipment is installed. Close open inlets and outlets during installation with dry clothes or paper to prevent rubbish entering the equipment.

10. Welding or other similar operations must not be carried out in the immediate vicinity of the equipment and vessels under pressure.

11. If there is any suspicion of overheating, combustion or other emergency, turn off the equipment. Immediately disconnect it from the power supply. Do not open the doors of equipment until the temperature falls to room temperature, in order to prevent burns or injury.

12. Naked flames must not be used as a light source for inspecting and checking equipment.

13. Never use caustic solvents, which may damage materials of the pneumatic system

14. After performing installation or other work, ensure that no instruments, rags or spare parts have been left inside the equipment.

15. Pay particular attention to the safety-relief valves. Thoroughly inspect them and remove any dust and dirt. They must not be allowed to suffer any loss in function under any circumstances. Remember that your safety depends on their functionality!

16. Before beginning work in normal mode after maintenance or repair work, check that the working pressure, temperature and other characteristics are correctly set. Ensure that all control devices are installed and functioning properly.

17. When replacing filters, separators etc., wipe away dust, dirt and oil residue from the area where they are installed with a dry cloth.


18. Protect the motor, air filter, electrical components and control components etc. from coming into contact with condensate. For instance, blow down with dry air.

19. Safety precautions for operation with refrigerants:

- Never inhale refrigerant vapours. Ensure that the work zone is properly ventilated; use a respirator if necessary;
- Always wear special-purpose gloves. If the refrigerant comes into contact with skin, rinse the area of contact with plenty of water. If refrigerant comes into contact with skin through clothing, do not try to remove clothing. Thoroughly rinse clothing with fresh water until the refrigerant is washed off. Then seek medical assistance.

20. Use protective gloves during installation and repair work in order to avoid burns and injury (for instance, during oil change).

2. Technical data and functional description

	<p>Entitlement to free handling of faults arising during the guarantee period is forfeited when:</p> <ul style="list-style-type: none"> - No warranty service coupon for the compressor or it is filled out incorrectly - No records for the compressor's scheduled maintenance are entered in the compressor's service book - Unoriginal parts and lubricants are used
---	--

2.1 Technical data

Article	Model	Drive power, compressor (kW)	Max. operating pressure (bar)	Output (m ³ /min)	Rated voltage, compressor (phase/V/Hz)	Noise (dB)	Receivers Volume (liter)	Refrigerated dryer, RDX-Series*	Screw connection	Oil capacity, liter
11410101	F0508	5.5	8	0,75	3/380/50	62	-	-	1/2"	5
11410102	F0510		10	0,65						
11410103	F0513		13	0,55						
11410104	FR0508-270		8	0,75			270			
11410106	FR0508-500		10	0,65				500		
11410105	FR0510-270						10	0,65		
11410107	FR0510-500		500							
11410108	FRD0508-270		8	0,75			270			
11410110	FRD0508-500						500			
11410109	FRD0510-270		10	0,65			270			
11410111	FRD0510-500						500			
11410201	F0708	7,5	8	1,1	3/380/50	65	-	-	1/2"	5
11410202	F0710		10	0,9						
11410203	F0713		13	0,6						
11410204	FR0708-270		8	1,1			270			
11410206	FR0708-500							500		
11410205	FR0710-270		10	0,9			270			
11410207	FR0710-500						500			
11410208	FRD0708-270		8	1,1			270			
11410210	FRD0708-500						500			
11410209	FRD0710-270		10	0,9			270			
11410211	FRD0710-500						500			

Article	Model	Drive power, compressor (kW)	Max. operating pressure (bar)	Output (m ³ /min)	Rated voltage, compressor (phase/V/Hz)	Noise (dB)	Receivers Volume (liter)	Refrigerated dryer, RDX-Series*	Screw connection	Oil capacity, liter	
11410301	F1108	11	8	1,6	3/380/50	67	-	-	1/2"	8	
11410302	F1110		10	1,4							
11410303	F1113		13	1,3							
11410304	FR1108-270		8	1,6			270	-			
11410306	FR1108-500						500				
11410305	FR1110-270		10	1,4			270				
11410307	FR1110-500						500				
11410308	FRD1108-270		8	1,6			270		X		3/4"
11410310	FRD1108-500						500				
11410309	FRD1110-270						10	1,4			
11410311	FRD1110-500		500								
11410401	F1508	15	8	2,3	3/380/50	69	-	-	1/2"	8	
11410402	F1510		10	1,9							
11410403	F1513		13	1,5							
11410404	FR1508-270		8	2,3			270	-			
11410406	FR1508-500						500				
11410405	FR1510-270		10	1,9			270				
11410407	FR1510-500						500				
11410408	FRD1508-270		8	2,3			270		X		3/4"
11410410	FRD1508-500						500				
11410409	FRD1510-270						10	1,9			
11410411	FRD1510-500		500								
11410501	F1808	18,5	8	3,1	3/380/50	70	-	-	3/4"	8	
11410502	F1810		10	2,5							
11410503	F1813		13	2,2							
11410504	FR1808-500		8	3,1			500	-			
11410505	FR1810-500								10		2,5
11410506	FRD1808-500		8	3,1				X	1"		
11410507	FRD1810-500										10
11410601	F2208	22	8	3,6	3/380/50	70	-	-	3/4"	8	
11410602	F2210		10	3							
11410603	F2213		13	2,6							
11410604	FR2208-500		8	3,6			500	-			
11410605	FR2210-500										10
11410606	FRD2208-500		8	3,6				X			1"
11410607	FRD2210-500								10		

2.2 General description

The F-Series oil-filled screw compressor series is designed for uninterrupted and efficient compressed-air production.

The F-Series compressor is an electric motor-operated, intake-regulated, belt-driven and air-cooled compressor, enclosed in a sound-insulated canopy. An electronic controller t-Log with an LCD indicator panel is provided, including start and stop buttons and an emergency stop button. Pressure and temperature relays are used for system control and protection.

2.3 Function diagram and main components

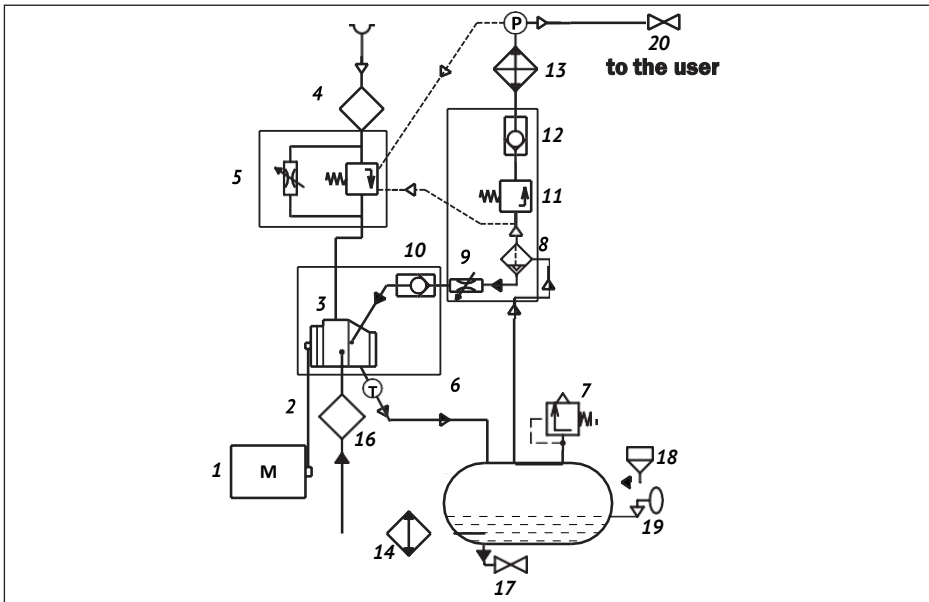


Fig. 2.3.1 Function diagram F 05..-F22.

	Air flow		Temperature sensor
	Oil flow		Pressure sensor
	Air/Oil mix flow		Pneumatic control line

Main components

1	Electric motor	11	Min. Pressure valve
2	Belt drive	12	Non-return valve
3	Air end	13	Heat-exchanger, Air section
4	Air filter	14	Heat-exchanger, Oil section
5	Intake valve	16	Oil filter
6	Air-Oil separation tank	17	Drain valve
7	Safety valve	18	Oil filling plug
8	Air-Oil separator	19	Oil level sight glass
9	Throttle valve	20	Air outlet valve
10	Non-return valve		

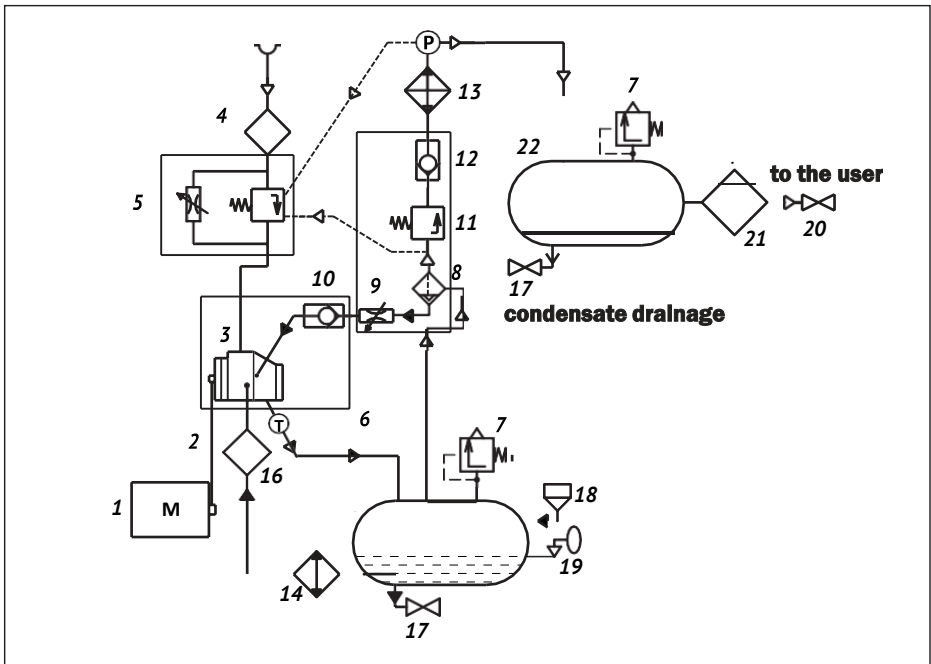


Fig. 2.3.2 Function diagram FR07...FR22..., FRD07...FRD22..

	Air flow		Temperature sensor
	Oil flow		Pressure sensor
	Air/Oil mix flow		Pneumatic control line

Main components

1	Electric motor	12	Non-return valve
2	Belt drive	13	Heat-exchanger, Air section
3	Air end	14	Heat-exchanger, Oil section
4	Air filter	16	Oil filter
5	Intake valve	17	Drain valve
6	Air-Oil separation tank	18	Oil filling plug
7	Safety valve	19	Oil level sight glass
8	Air-Oil separator	20	Air outlet valve
9	Throttle valve	21	Refrigerated dryer (ARD only)
10	Non-return valve	22	Pressure vessel
11	Min. Pressure valve		

2.4 Functional description (see Fig. 2.1 and Fig. 2.2)

Airflow: Air drawn through Air filter (4) and open Intake valve (5) into compressor Air-end (3) is compressed. Compressed air and oil flow into Air-Oil separation tank (6). The air is discharged via Min. Pressure valve (11) through Heat-exchanger (13) towards the Air Outlet Valve (20).

Oil flow: Air pressure forces oil from the air-oil separation tank (6) through the heat-exchanger (14) and the oil filter (16) to the compressor air-end (3) and the lubrication points. In the air-oil separation tank (6), most of the oil is removed centrifugally; the rest is removed by the air-oil separator (8). The oil system is fitted with a thermostatic valve (15). When the oil temperature is below the set-point of the thermostatic valve, the thermostatic valve shuts off the oil supply from oil heat-exchanger (14). The thermostatic valve starts opening the supply from heat-exchanger (14) when the oil temperature exceeds the valve's setting. The setting of the thermostatic valve depends on the model. See table Technical Data.

Cooling system: The cooling system comprises a combined air section (13) and an oil section (14) heat exchanger. A cooling fan, mounted in the fresh air intake section, generates the cooling air in order to cool the heat-exchanger.

2.5 Regulating system



Fig. 2.5 Regulating system

The system is controlled by an electronic controller t-Log (4) which keeps the net pressure within programmable pressure limits by automatically loading and unloading the compressor in relation to air consumption.

Unloading: If air consumption is less than the air delivered by the compressor, the net pressure increases. When the net pressure reaches the upper limit of working pressure (unloading pressure), the solenoid valve (6) is de-energized. The damper (2) of the intake valve (1) closes the air inlet opening by a spring force:

1. The control pressure present in the chambers of the loading plunger (3) and the unloading valve (5) is vented into the atmosphere via the solenoid valve (6).
2. The loading plunger (3) moves forwards and causes the intake valve (1) to close the air inlet opening.
3. The unloading valve (5) is opened by the air-oil separation tank pressure. The pressure from the air-oil separation tank (7) is released towards the air inlet.
4. The pressure is stabilized at a low value, air output is stopped (0 %) and the compressor runs unloaded.

Loading: When the net pressure decreases to the loading pressure, the solenoid valve (6) is energized:

1. The control pressure is fed from the air-oil separation tank (7) via the solenoid valve (6) to the loading plunger (3) and the unloading valve (5).
2. The unloading valve (5) closes the air blow-off opening. The loading plunger (3) moves backwards and causes the intake valve (1) to open fully. Air output is resumed (100 %), and the compressor runs loaded.

2.6 Electrical diagram and main components

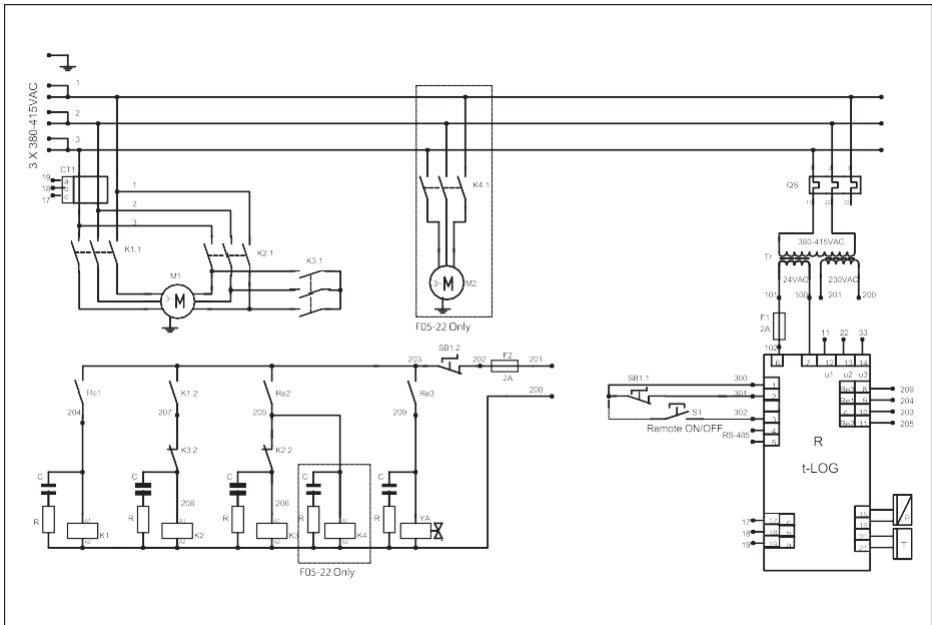



Fig. 2.5 Electrical diagram F05.. - F22..., FR05.. - FR22..., FRD05.. - FRD22..*,
*For RDX Electrical diagram refer to the relevant documentation.

Main components

K1, K2, K3, K4	Contactor	YA	Solenoid valve
M1	Electric motor	R	Electronic controller
T	Temperature sensor	I/P	Pressure sensor
SB	Emergency stop	CT1	Transformer
F1, F2	Fuses	TR	Transformer
M2	Fan motor	QS	Automatic power switch

3. Start up

3.1 Lifting and carrying

	All lifting should be carried out using a forklift truck with a carrying capacity suited to the compressor. Lifting may be carried out with loading cranes, winches and other machinery, using a crossbeam with the right length. Local safety guidelines for lifting have to be observed.
---	--

For transport with a forklift truck, use the rigging holes in the frame. The compressor has slotted rigging holes with width C – fig. 3.1.1 Move the compressor carefully.

Model	A, mm	B, mm	C, mm	D, mm	G, mm
F05 - 07..	100	383	185	92	900
F11..	130			202	
F15..				302	1000
F18..	135				
F22..					

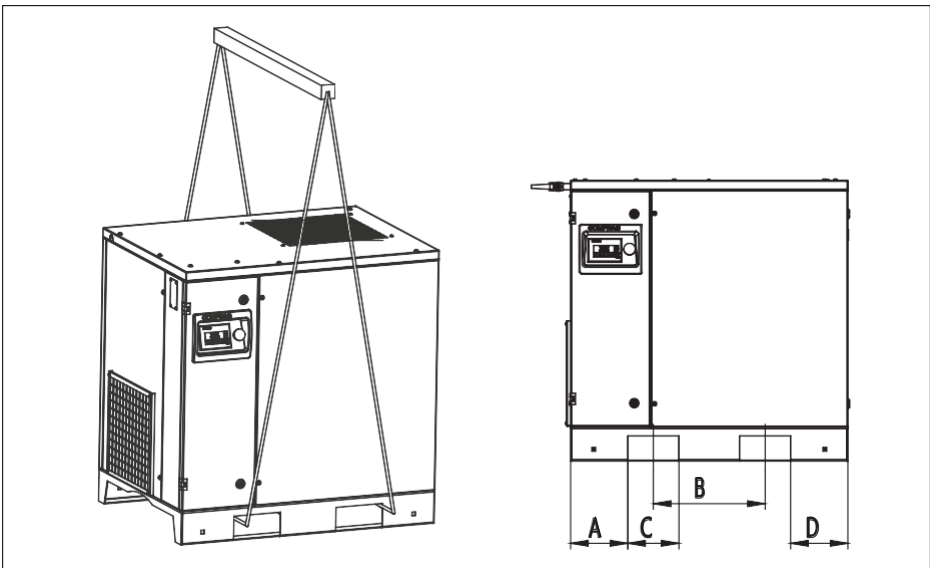


Fig. 3.1 Lifting and carrying F05.. – F22..

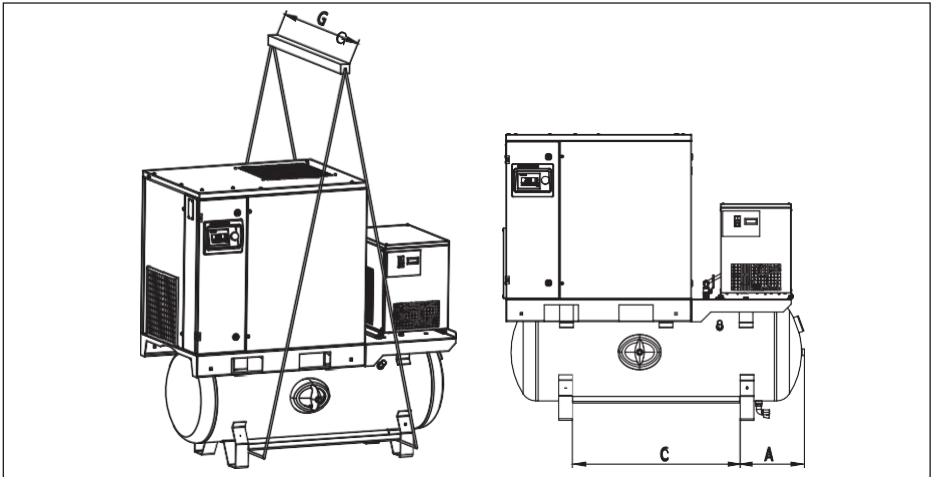


Fig. 3.1.2 Lifting and carrying FR05..-FR22, FRD05..-FRD22

Model	A, mm	B, mm	C, mm	D, mm	G, mm
FR05.. / FRD05.	100	383	185	92	900
FR07.. / FRD07..				202	
FR11.. / FRD11..	130			302	1000
FR15.. / FRD15..					
FR18.. / FRD18..	135				
FR22.. / FRD22..					

3.2 Dimensions

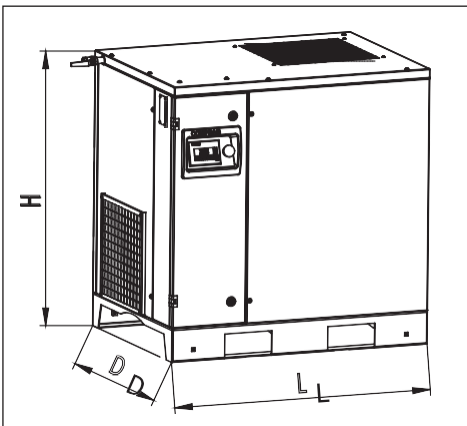


Fig. 3.2.1. Dimension drawing F05.. - F22..

Model	Compressor dimensions			
	Length L, mm	Width D, mm	Height H, mm	Weight, kg
F05	973	724	964	280
F07				302
F11	1003	800	1123	315
F15				335
F18	1083	884	1123	425
F22				445
Packaging dimensions				
F05	1075	825	1115	310
F07				332
F11	1100	900	1250	347
F15				367
F18	1200	1000	1250	470
F22				490



Fig. 3.2.2. Dimension drawing FR05..-FR22, FRD05..-FRD22

Model	Compressor dimensions				Packaging dimensions			
	Length L, mm	Width D, mm	Height H, mm	Weight , kg	Length L, mm	Width D, mm	Height H, mm	Weight , kg
FR05-270	1500	724	1472	400	1700	825	1630	445
FRD05-270	1546			435				480
FR05-500	1855	724	1586	445	2050	880	1780	498
FRD05-500	1855			480				538
FR07-270	1500	724	1472	422	1700	825	1630	467
FRD07-270	1546			457				502
FR07-500	1855	724	1586	467	2050	880	1780	520
FRD07-500	1855			495				553
FR11-270	1500	800	1631	435	1700	900	1800	482
FRD11-270	1558			482				532
FR11-500	1855	800	1740	525	2050	950	1930	578
FRD11-500	1855			557				605
FR15-270	1500	800	1631	455	1700	900	1800	502
FRD15-270	1558			492				542
FR15-500	1855	800	1740	535	2050	950	1930	588
FRD15-500	1855			577				625
FR18-500	1855	884	1740	580	2050	1000	1930	630
FRD18-500	1905			645				695
FR-22-500	1855	884	1740	600	2050	1000	1930	650
FRD-22-500	1905			665				715

3.3 Requirements on installation facility



Fig. 3.3.1 Installation facility proposal F05.. - F22..

1. Air inflow
2. Air outflow



Fig. 3.3.2 Installation facility proposal FR05..-FR22, FRD05..-FRD22

1. Air inflow
2. Air outflow

Ensure that the floor of the facility can withstand the weight of the compressor. Install the compressor on a level surface that is able to bear its weight. Adjust the horizontal axis of the compressor using a levelling instrument. If the compressor is not anchored to the base on which it is installed, the tilt angle with respect to the horizontal surface must not exceed 3°.

If the compressor is anchored to the base on which it is installed, the tilt angle with respect to the horizontal surface must not exceed 7°. Install the compressor in a facility where precipitation cannot reach. Choose a facility for installing the compressor with a minimum level of dust. Install the compressor at least 1.5 m from walls.

If multiple compressors are installed, there should be a 1.5 m minimum distance between each compressor. There should be a 4 m safety distance from the area of the operated equipment connected to the compressor. The facility in which the compressor is installed must be fitted with a combined extract-and-input ventilation system.



The facility where the compressor is installed should be provided with air inflow equivalent to twice the compressor's capacity.

The volume of extraction ventilation must not exceed 40% of the air inflow capacity of the input ventilation in a facility where the compressor is installed and fitted with an extract-and-input ventilation system. The compressor should not be installed in a facility where the temperature may drop below +5°C. In order to extract hot air flowing out the compressor, an air duct may be used that is up to 3 m in length and with a cross section 20% larger than that of the air-outflow orifice from the compressor's radiator. If an air duct longer than 3 m is used, additional duct fans should be used.

3.4 Connection to the compressed airline


Provide the throughput capacity of the compressed-air line in accordance with the performance of the compressor. In order to avoid damage associated with seal failure of the compressed-air line, the compressor should be connected via a flexible hose. All components of the compressed-air line must have a working pressure no less than the compressor's nominal pressure. Use a pressure vessel with a capacity corresponding to the compressor's performance and the compressed air consumer.

3.5 Connecting to power supply

The compressor is not supplied with a power cable. The cable size must be chosen to ensure that the maximum voltage drop not exceed 5 % of the nominal voltage value.

F05..	F07..	F11..	F15..	F18..	F22..
Material - copper. Cable size (mm ²)					
4	6	6	6	10	16
Fuse value (A)					
25	35	35	50	63	63

Cable length must not exceed 25 m. Ambient temperature in the facility must not exceed 40°C. The cable must be sheathed with a fire retardant compound. An isolating switch must be fitted within reach of the compressor to facilitate connection and maintenance.

	The compressor must be earthed and protected against short circuits in each phase, impermissible voltage fluctuation and phase failure.
---	---

The power cable has to be fed into the compressor.

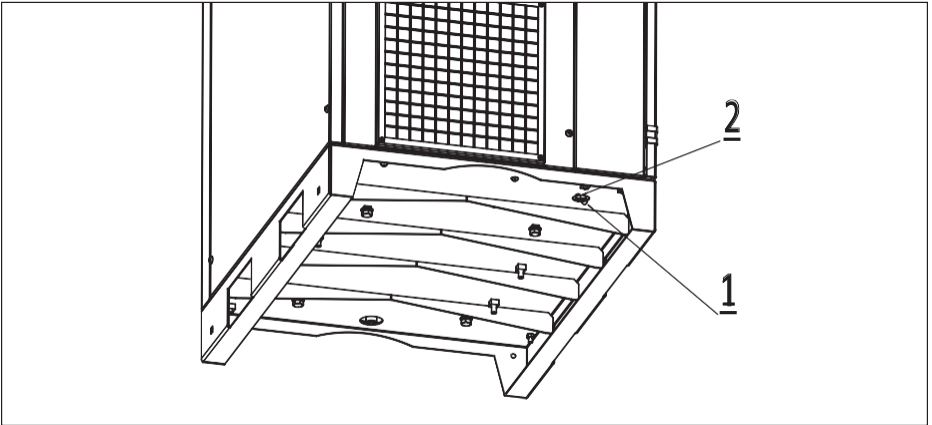


Fig. 3.5 Power cable connection

Remove the left side panel, pass the cable under the compressor into the orifice (1) and cable gland (2). Connect the power supply cables to the terminal 4. The earth wire of the power cable must be connected to the corresponding earthing bolt 3.



Fig. 3.8 Power cable terminal connection

4. Operation



Non-qualified personnel must not be allowed to operate the compressor.

4.1 Controller and operating panel

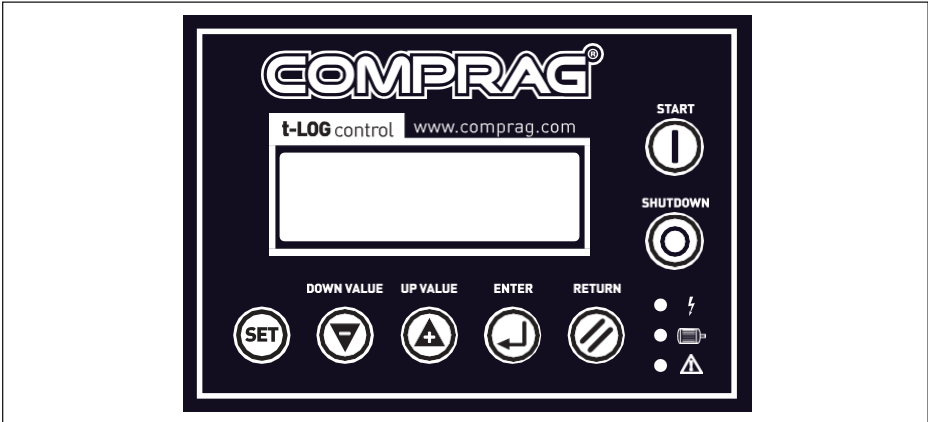
The compressors F05 to F22 are equipped with an t-Log electronic controller. The t-Log electronic controller maintains the net pressure between programmable limits by automatically loading and unloading the compressor. A number of programmable settings, e.g. the unloading and loading pressures, the minimum stop time and the maximum number of motor starts are taken into account. The t-Log electronic controller stops the compressor whenever possible to reduce the power consumption and restarts it automatically when the net pressure decreases. In case the expected unloading period is too short, the compressor is kept running to prevent too short standstill periods.

Operating panel

In order to control the compressor and to read and modify programmable parameters the controller has a control panel provided with:

- LEDs indicating the status of the compressor;
- a display indicating the operating conditions, a service need or a fault;
- buttons to control the compressor and access data collected by the controller;
- buttons to manually start and stop the compressor;
- an emergency stop button.

Fig. 4.1 Controller panel



Control panel buttons

	Start of compressor		Up or Increment Value
	Shutdown of compressor		Down or Decrement Value
	Return to main operating menu		Enter
	Set / Loading – Unloading Mode		

LCD Indicator

	Power Indicator (red): The indicator lights up when the control is switched on and the power supply is connected.
	Power Indicator (green): The indicator lights up when the motor is running.
	Alarm/error indicator (red). Alarm (warning): The indicator flashes and the machine continues to run. Error: The indicator is permanently lit, there is an accompanying acoustic signal and the machine switches off. The error message can be acknowledged after the cause of the error has been resolved. In order to acknowledge the error message, press and hold the 'back to main menu' button

LCD Status Display

COMPRAQ SCREW AIR COMPRESSOR	The display screen will show as below after power on:
After 5 seconds, the menu will switch main compressor parameters:	
TEMP: - °C SYS STOP C01	Current temperature of the oil-air mixture Current compressor working status
Press enter (↵).	
PRES: --bar SYS STOP C01	Current pressure at compressor air outlet Current compressor working status
Select the menu options using the up (↑) and down (↓) buttons and enter (↵):	
RUN PARAMETERS	Includes current values (available for viewing)
USAGE PARAM	Includes operating settings of the main parameters (available for viewing, changes password-protected)
FACTORY PARAM	For servicing mode (view with password). Modification only possible by manufacturer
ADJUST. PARAM	Basic settings and maintenance hour counter (view and changewith password). Modification only possible by distributor's technical staff

Run parameters

These parameters apply only to the display of the current settings of the product.

RUN PARAMETERS	
MOTOR M1 A-0.0 B-0.0 C-0.0	Current consumption per phase

TOTAL RUN TIME	Total operating hours (loaded and idle run time)
--h-m	Current value

TOTAL LOAD TIME	Total load hours
--h-m	Current value

THIS RUN TIME	Operating hours since last switched on (loaded and idle run time)
--h-m	Current value

THIS LOAD TIME	Load hours since last switched on
--h-m	Current value

OIL FILTER TIME	Operating time since last service
0110h	Current value

SEPARATOR TIME	Operating time since last service
0110h	Current value

AIR FILTER TIME	Operating time since last service
0110h	Current value

OIL CHANGE TIME	Operating time since last service
0110h	Current value

GREASE MOTOR M1	Operating time since last service
0110h	Current value

BELT CHANGE	Operating time since last service
0110h	Current value

ALARM1: 000110H	Errors history entry 1. Error time
T.SENSOR FAULT	Error description

ALARM2: 000110H	Errors history entry 2. Error time
P.SENSOR FAULT	Error description

ALARM3: 000110H	Errors history entry 3. Error time
PHASE RESERVE	Error description

ALARM4: 000110H	Errors history entry 4. Error time
P.SENSOR FAULT	Error description

ALARM5: 000110H	Errors history entry 5. Error time
P.SENSOR FAULT	Error description

MANUFACT.DATE	Manufacturing date
9999-99-99	

SERIALNUMBER	Serial number
999999999	

C-STATE	Parameter not used
RX- TX-	

If no action is performed in the current menu for 60 seconds, the controller will automatically return to the main menu.

USAGE parameters

The contents of this menu item can be displayed, but modifications are password-protected. Modifications may only be carried out by trained and qualified personnel.

FAN START TEMP	Switch-on temperature of the fan
0080° C	Set value

FAN STOP TEMP	Switch-off temperature of the fan
0070° C	Set value

LOAD PRESSURE	If the compressor is ready, it switches at this pressure to loaded running
6.5bar	Set value

UNLOAD PRESSURE	At this pressure the compressor switches to idle running
8.0bar	Set value

IDLE TIME	Idle run time. Suction valve closed, and main motor running
1200s	Set value

START MODE	Switch on by remote control or locally via the control
REMOTE	Set value

LOAD MODE	Loaded running/idle running automatically or manually
AUTO	Set value

COM MODE	Communication mode: PC / MODBUS / GROUP
COMPUTER	Set value

COM ADDRESS	Communication port, network address
0001	Set value

GROUP STATE	Options: master / follower (slave)
MASTER	Set value

SWITCHING TIME	Group operation. Switching time
0099h	Set value

NUMBER IN GROUP	Group operation. Number of the compressor within the group
------------------------	--

0016	Set value
GROUP LOAD PRES	Group operation. Load pressure
6.0bar	Set value
GR. UNLOAD PRES	Group operation. Group idle run pressure
8.0bar	Set value
GR. DELAY TIME	Group operation. Delay time
0200s	Set value
OIL FILTER RST	Oil filter maintenance. Set to 0 after maintenance
0110h	Set value
SEPARATOR RST	Separator maintenance. Set to 0 after maintenance
0110h	Set value
AIR FILTER RST	Air filter maintenance. Set to 0 after maintenance
0110h	Set value
OIL CHANGE RST	Oil. Set to 0 after changing
0110h	Set value
GREASE M1 RST	Lubricate motor bearings. Set to 0 after maintenance
0110h	Set value
BELT CHANGE RST	Change belts. Set to 0 after maintenance
0110h	Set value
OIL FILTER SET	Oil filter maintenance. Set maintenance interval
0500h	Set value
SEPARATOR SET	Separator maintenance. Set maintenance interval
2000h	Set value
AIR FILTER SET	Air filter maintenance. Set maintenance interval
2000h	Set value
OIL CHANGE SET	Oil. Set change interval
0500h	Set value

GREASE M1 SET	Lubricate motor bearings. Set maintenance interval
4000h	Set value

BELT CHANGE SET	Change belts. Set change interval
4000h	Set value

LANGUAGE SELECT	Language EN/DE
ENGLISH	Set value

USER PASSWORD	User password
****	No access to parameter

If there is no activity for 60 seconds in the current menu, the control will automatically return to the main menu.

Factory param

For servicing mode (view with password). Modification only possible by manufacturer.


ADJUST. param

Basic settings and maintenance hour counter (view and change with password).

4.2 Error description

Alarm (warning): The indicator flashes and the machine continues to run.

Error: The indicator is permanently lit, there is an accompanying acoustic signal and the machine switches off. The error message can be acknowledged after the cause of the error has been resolved. In order to acknowledge the error message, press and hold the 'back to main menu' button.

	Restarting operation without eliminating the cause of the fault is not permitted!
---	---

Alarm (warning, compressor continues to run)

ALARM:	Oil/air mixture temperature at the compressor outlet high
TEMP HIGH 105 °C	

ALARM: 0110h	Maintenance interval exceeded
OIL FILTER SOON	

ALARM: 0110h	Maintenance interval exceeded
BELT SERV. SOON	


ALARM: 0110h	Maintenance interval exceeded
AIR FILTER SOON	

ALARM: 0110h	Maintenance interval exceeded
SEPARATOR SOON	

ALARM: 0110h	Maintenance interval exceeded
OIL CHANGE SOON	

ALARM: 0110h	Maintenance interval exceeded
GREASE M1 SOON	

Alarms for maintenance are triggered at the set time before maintenance. The alarm message is displayed intermittently and repeatedly in the case of an overrun maintenance interval.

	Restarting operation without eliminating the cause of the fault is not permitted!
---	---

Error messages (compressor stops or does not start)

TEMP: 99 °C	Emergency stop pressed
EMERG. STOP C01	

STOP: PRESSURE	Max. permissible working pressure of the compressor exceeded
HIGH 10.4bar	

STOP:	Oil/air mixture temperature at the compressor outlet exceeded
TEMP HIGH 110 °C	

TEMP: 0 °C	Drop below temperature (oil temperature below 5 °C)
TEMPER LOW C01	

STOP: OVERLOAD	Motor M1 permissible current consumption exceeded
M1 CUR. 104.8A	

STOP:	Incorrect phase sequence
PHASE REVERSE	


STOP:	Three phase power unbalanced
MOTOR UNBALANCE	

STOP:	Phase loss detected
PHASE FAILURE C	

STOP: TEMP	Temperature sensor error
SENSOR FAULT	

STOP: PRESSURE	Pressure sensor error
SENSOR FAULT	

4.3 Starting the compressor


	<p>Before starting check oil level at sight glass on the Air-Oil separation tank.</p>
---	---


Switch on the voltage. Open the air outlet valve.

Press button  "Start" on the control panel.

The compressor starts running in an automatic operation mode, controlled by the t-Log electronic controller.

4.4 Switching off the compressor

	<p>To stop the compressor in the case of emergency, press the emergency stop button on the control panel. After remedying the fault, unlock the button by pulling it out before restarting. After emergency shutdown of the compressor, it can only be restarted again no sooner than 10 minutes later.</p>
---	---

Press button  "Shutdown" on the control panel.

The compressor stops. LCD display is switched off.

Close the air outlet valve.

Switch off the voltage.

5. Maintenance

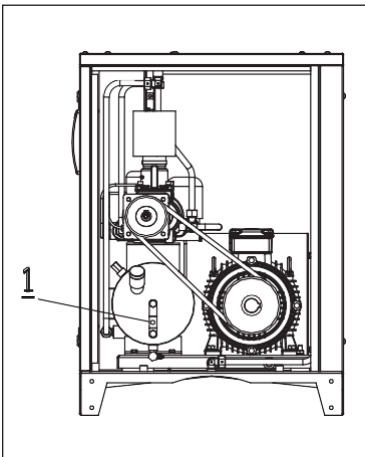
5.1 Maintenance schedule

Maintenance schedule

	Daily	Monthly	Yearly	Interval in work hours			
				M-1	M-2	M-3	M-2
				500	2000	4000	6000
Oil level	Check/ Refill						
Compressor oil				Replace	Replace	Replace	Replace
Air filter		Cleaning			Replace	Replace	Replace
Oil filter				Replace	Replace	Replace	Replace
Air-Oil Separator						Replace	
Drive belt		Check					
Heat exchanger		Cleaning					
Bearings of electric motor			Lubricate				
Intake valve			Check				
Minimum pressure valve			Check				
Safety valve			Check				

Beyond 6000 working hours, compressor maintenance consists in alternating M-2 and M-3 every 2000 hours of running time. Performance of daily, weekly, monthly and annual servicing does not annul the need for maintenance in terms of operating hours.

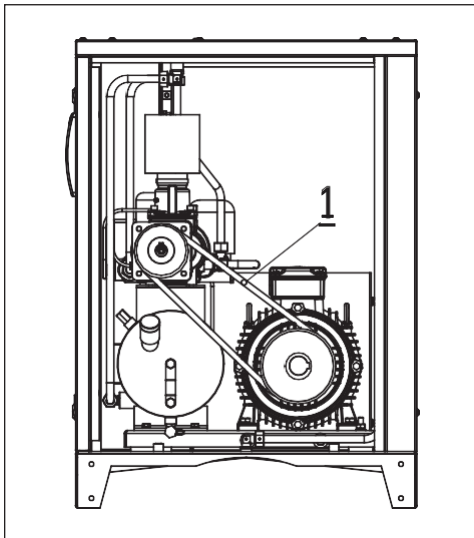
5.2 Checking oil level



Check oil level on a daily basis. The oil level in the compressor should be checked visually with the oil level glass (1) when the compressor has stopped. The surface of the oil must always be visible in the sight glass. If no oil is visible in the sight glass, the oil level is low and needs to be topped up.

Fig. 5.2 Checking oil level

5.3 Checking drive belt



Check on a monthly basis drive belts condition and the tension on drive belts.

In order to access the belt, stop the compressor and remove the left side panel. Inspect belts (1) for signs of wear on side edges and for cracks. If belts are damaged, then they should be replaced. Using belt tension gauge, check the tensile force of the compressor belts.

Fig. 5.3 Checking drive belt

Model	Maximum working pressure, bar	Tension force F, N
F05 - F07, FR05 - FR07, FRD05 -FRD07	8	300
	10	300
	13	400
F11, FR11, FRD11	8	250
	10	250
	13	300
F15, FR15, FRD15	8	250
	10	300
	13	300
F18, FR18, FRD18	8	250
	10	300
	13	300
F22, FR22, FRD22	8	400
	10	450
	13	500

5.4 Replacing oil and oil filter

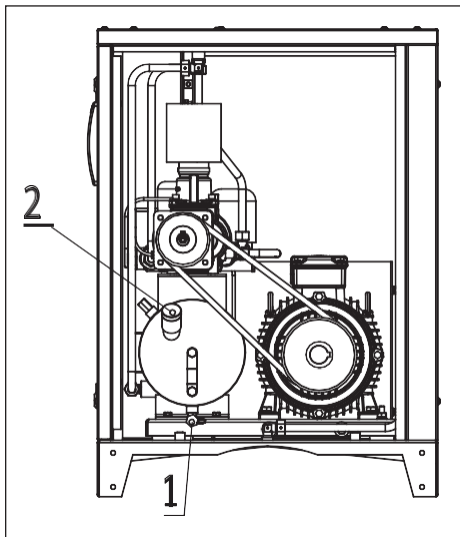


Fig. 5.4.1 Oil replacing

Open the front panel and turn the fill plug (2) one revolution in order vent system pressure.

Remove the fill plug. Remove plug from the drain valve (1) at the bottom of the Air-Oil separation tank. Drain the oil into a dedicated vessel from the separator tank after opening the drain valve.

Fill the Air-Oil separation tank with oil until it is level with the middle of the sight glass. Refit and tighten the drain valve plug and the fill plug.



Fig. 5.4.2 Oil filter replacing

Open the right side panel. Remove the oil filter (1) using a special Oil Filter Wrench. Drain the oil from the filter into a dedicated vessel and clean the filter seat.

Oil the gasket of the new oil filter and screw it into place. Only tighten oil filter by hand. Start up the compressor.

Stop the compressor and let it run idly for several minutes in order for the oil to circulate and air to be extracted from the oil system. Wait several minutes until the oil settles and the inner pressure drops.

If necessary, unscrew the fill plug and add oil until it is level with the middle of the sight glass. Place the fill plug into its initial position and tighten it.

5.5 Replacing air filter



Fig. 5.5 Air filter replacing

The air filter (1) is attached to the compressor's intake valve.

In order to replace it, open the left side panel, loosen the clamp (2) securing the filter. Remove the contaminated filter, and detach the clamp from it.

Set the new filter in its place and fit into place with the clamp.

5.6 Changing drive belt



Fig. 5.6 Changing drive belt

Open the left side panel, loosen the 4 screws (3) securing the bracket of the air end by turning them 2 revolutions.

Loosen the 2 bolts of the motor (2) and the 2 corresponding nuts (1) on the tensioner using a wrench. Remove the old belts from the pulleys and install the new belts.

After installing the new belt, tighten the belt with the appropriate tensile force (see section 5.3 Checking Drive Belt).

Tighten the 2 bolts of the motor (2) and the 2 corresponding nuts on the tensioner. Tighten the 4 screws of the bracket of the air end. Check the belt tension within four hours of the compressor's operation in accordance with section 5.3.

5.7 Changing air-oil separator



Fig. 5.7 Changing air-oil separator

Open the right side panel, remove the separator (1) using a special oil filter wrench.

Oil the gasket of the new air-oil separator and screw it into place. Only tighten the air-oil separator by hand.

5.8 Cleaning radiator



Fig. 5.8 Cleaning radiator

In order to access the radiator (1), open the front panel.

Regularly clean the radiator in order to maintain its cooling efficiency at an acceptable level.

Remove any dirt particles from the radiator using a fibre brush, then aim a jet of compressed air at the radiator from the bottom to the top; the jet should be held at an approximate 90° angle to the plane of the radiator.

5.9 Checking suction valve

In order to access the intake valve, the air filter has to be removed in accordance with section 5.5. Then open the air throttle by hand, ensuring that it has a smooth stroke and can be opened fully. If the air throttle jams or doesn't operate fully, then replace the valve with a new one.

5.10 Servicing bearings of electric motor

When the compressor is used, fresh viscous lubricant (formulated for rolling bears) should be added to the motor's bearings. Lubricant should be added using a special syringe for viscous lubricants through lubricators accommodated in the motor's bearing caps. The volume of lubricant added can be calculated using the formula:

$$D^2_{\text{motor shaft}} \text{ (mm)} \times 0.005 = M_{\text{(lubricant mass)}} \text{ (g)}$$

Do not over-lubricate the bearings beyond the standard level as all excess lubricant will be squeezed out of the bearings into the motor when the motor is running.

6. Fault handling

6.1 Faults and corrective actions

Problem	Possible faults	Corrective actions
The compressor starts up with lag. There is a slow build up in the electric motor's speed.	The belt is overtightened.	Tighten the belt with the relevant load.
	The oil is thick.	Replace the oil.
There's a whistling during the compressor's operation.	The belt is slipping.	Tighten the belt with the appropriate tensile force (see section 5.3 Checking drive belt).
The compressor won't start. There's a temperature block on the control unit's display.	The ambient air temperature in the facility does not meet the required temperature (below +5 °C or above +40 °C).	Ensure the necessary ambient air temperature where the compressor is installed.
The compressor is overheating.	There's insufficient ventilation in the facility where the compressor is installed.	Increase the air circulation inside the facility.
	The oil level is too low.	Top up oil.
	The radiator is dirty.	Blow down the radiator with compressed air.
The safety-relief valve of the separator tank is activated.	The separator is dirty.	Perform maintenance by replacing the separator.
	The pressure is too high (over 13 bar).	Set the working pressure below 13 bar.

7. Storage and disposal

7.1 Storage conditions

The compressor should be kept at a temperature between -20° and $+35^{\circ}$ C with max. 85% relative humidity.

7.2. Disposal of oils and process condensate.

Used oils, greasy filters and separators should be recycled in a sealed container and disposed of at a local recycling or disposal facility. Do not allow precipitation to mix with oil.

Process condensate contains oil. Local environmental regulations govern the degree of contamination of condensate discharge into sewers. Use process condensate separators to separate oil and further impurities from condensate.

Replaceable components of a process condensate separator should be disposed of in the same way as greasy wiping cloths.

© Comrag ®. Alle Rechte vorbehalten.

Die Textteile, Abbildungen, Tabellen und Diagramme dürfen nicht ohne Genehmigung der Comrag GmbH kopiert oder veröffentlicht werden.

Technische Daten, Spezifikationen und Details dieser Bedienungsanleitung können ohne vorherige Ankündigung geändert werden.

+7 (800) 777-83-75(звонок бесплатный)

<https://www.v-p-k.ru/>

FRD0510-270

Comrag GmbH

+7 (800) 777-83-75(звонок бесплатный)

<https://www.v-p-k.ru/>

FRD0510-270

Inhalt

- 1 Sicherheitsrichtlinien**
 - 1.1 Symbolerklärung
 - 1.2 Allgemeine Sicherheitsrichtlinien
 - 1.3 Sicherheitshinweise für die Inbetriebnahme
 - 1.4 Sicherheitshinweise für den Betrieb
 - 1.5 Sicherheitshinweise für die Wartung und Reparatur
- 2 Technische Daten und Funktionsbeschreibung**
 - 2.1 Technische Daten
 - 2.2 Allgemeine Beschreibung
 - 2.3 Ablaufdiagramm und Hauptkomponenten
 - 2.4 Funktionsbeschreibung
 - 2.5 Pneumatikplan Last- Leerlauf
 - 2.6 Elektro-Schaltplan
 - 2.7 Elektrische Anschlusswerte
- 3 Inbetriebnahme**
 - 3.1 Transport
 - 3.2 Abmessungen
 - 3.3 Voraussetzungen für die Installation am Standort
 - 3.4 Anbindung an die Druckluftleitung
 - 3.5 Anbindung an das Stromnetz
- 4 Betrieb**
 - 4.1 Steuer- und Bedieneinheit
 - 4.2 Fehleranzeige
 - 4.3 Kompressor starten
 - 4.4 Abschalten des Kompressors
- 5 Wartung**
 - 5.1 Wartungsplan
 - 5.2 Ölstandskontrolle
 - 5.3 Kontrolle des Riementriebs
 - 5.4 Öl und Filter austauschen
 - 5.5 Luftfilter austauschen
 - 5.6 Riemen austauschen
 - 5.7 Öl-Separator austauschen
 - 5.8 Wärmeaustauscher reinigen
 - 5.9 Ansaugventil überprüfen
 - 5.10 Service für die Lager des Elektromotors
- 6 Fehlerbehebung**
 - 6.1 Fehler und Korrekturmaßnahmen
- 7 Lagerung und Entsorgung**
 - 7.1 Lagerbedingungen
 - 7.2 Entsorgung von Öl und Prozesskondensat

1. Sicherheitsrichtlinien

1.1 Symbolerklärung.

	Lebensgefahr.
	Warnung.
	Achtung.

1.2 Allgemeine Sicherheitsrichtlinien.

	Machen Sie sich sorgfältig mit den technischen Dokumenten, Betriebsanleitungen und Sicherheitsrichtlinien vertraut. Ein Großteil der Unfälle im Umgang mit Kompressoranlagen ist auf Nichteinhaltung von Sicherheitsrichtlinien zurückzuführen. Vermeiden Sie unnötige Risiken und halten Sie sich an die Sicherheitsrichtlinien. Die wichtigsten Regeln sind im Folgenden beschrieben.
	Der Benutzer trägt die volle Verantwortung für Verletzungen oder Schäden, die während der Montage, des Betriebs, der Wartung sowie aufgrund von unberechtigter Nutzung der Anlage auftreten.

1. Der Betreiber hat die in diesen Anweisungen sowie in den geltenden gesetzlichen Vorschriften enthaltenen Sicherheitsrichtlinien genauestens einzuhalten!
2. Bei Überschneidungen der Sicherheitsrichtlinien mit der örtlichen Gesetzgebung gelten stets die strengeren Vorschriften.
3. Nur Wartungspersonal mit entsprechender Berufsausbildung ist es gestattet, Compraq-Anlagen zu bedienen, zu warten und zu reparieren.
4. Druckluft, die direkt vom Kompressor kommt, kann Öl und Verunreinigungen enthalten und ist nicht als Atemluft geeignet! Druckluft muss in Übereinstimmung mit den geltenden gesetzlichen Vorschriften auf einen zur Atmung geeigneten Luftreinheitsgrad gebracht werden.
5. Druckluft ist eine äußerst gefährliche Energiequelle. Druckluft darf niemals unsachgemäß verwendet werden! Verwenden Sie niemals Druckluft, um Kleidung oder Schuhe zu reinigen und zielen Sie mit Druckluftschläuchen niemals auf Menschen oder Tiere! Bei der Reinigung von Geräten mit Druckluft ist äußerste Vorsicht geboten. Tragen Sie dabei immer eine Schutzbrille!

6. Wartungs-, Reparatur-, Aufbau-, und Montagearbeiten dürfen nur durchgeführt werden, wenn das Gerät ausgeschaltet ist, von der Stromquelle getrennt ist, die Druckluftschläuche vom Gerät getrennt sind und beteiligte Personen Schutzbrillen tragen. Stellen Sie sicher, dass die Anlage vom Druckluftsystem getrennt ist und nicht unter Druck steht.

1.3 Sicherheitshinweise für die Inbetriebnahme



Der Benutzer trägt die volle Verantwortung für Verletzungen oder Schäden, die während der Montage, des Betriebs, der Wartung sowie aufgrund von unberechtigter Nutzung der Anlage auftreten..

1. Anlagen dürfen ausschließlich mit entsprechenden Handhabungsgeräten oder Kränen auf-/abgeladen werden. Anlagen dürfen nicht von Hand angehoben oder bewegt werden. Anlagen niemals an Hebezeugen o. Ä. hängen lassen. Beim Abladen immer einen Helm tragen.
2. Stellen Sie die Anlagen in einem trockenen und sauberen Gebäude auf, wo sie vor Niederschlag geschützt sind. Das Gebäude muss ausreichend und bei Bedarf durch Fremdbelüftung belüftet sein.
3. Abgenutzte, beschädigte oder defekte Druckluftschläuche dürfen nicht verwendet werden. Stellen Sie sicher, dass die verwendeten Schläuche hinsichtlich Durchmesser und Betriebsdruck für die jeweiligen Geräte geeignet sind.
4. Sind in einem System mehrere Kompressorstationen vorhanden, benötigt jeder Kompressor ein von Hand betätigtes Ventil zum Abschalten der einzelnen Kompressoren für Notfälle.
5. Explosive und leicht entzündliche Substanzen wie Lösungsmitteldämpfe, Kohlenstaub etc. dürfen keinesfalls in die Atmosphäre freigesetzt werden.
6. Sorgen Sie für ungehinderten Zugang zum Druckluftschlauch vom Kompressor. Der Schlauch sollte nicht verdeckt sein und es dürfen keine brennbaren Materialien in unmittelbarer Nähe gelagert werden.
7. Druckluftschläuche dürfen nicht gequetscht oder verformt werden.
8. Lüftungsöffnungen von Anlagen dürfen nicht abgedeckt werden. Achten Sie darauf, dass das Gebäude gut belüftet ist.
9. Bei Verwendung einer Fernsteuerung muss folgende Warnung gut sichtbar und lesbar am Gerät vorhanden sein: „ACHTUNG: Diese Maschine ist ferngesteuert und kann ohne Vorwarnung anlaufen!“ Ein Bediener, der das Gerät fernsteuert, muss sicherstellen, dass zu dem Zeitpunkt keine Montage- oder anderen Arbeiten an der Anlage durchgeführt werden. Wurde das Gerät per Fernsteuerung abgeschaltet, muss der Bediener sicherstellen, dass das Gerätauch tatsächlich ausgeschaltet ist!
10. Anlagen müssen geerdet sein. Kurzschlusschutzvorrichtungen müssen vorhanden sein. Der Not-Aus-Taster muss sich in unmittelbarer Nähe des Geräts befinden und gegen unberechtigte Inbetriebnahme schützen.



Der Benutzer trägt die volle Verantwortung für den ordnungsgemäßen Betrieb des in der Anlage vorhandenen Elektromotors. Anlagen sind nur mit entsprechenden Schutzvorrichtungen zu betreiben. Die Schutzvorrichtungen müssen den Elektromotor vor Kurzschlüssen, Überlast (systematisch und bei der Inbetriebnahme) und Phasenausfall schützen. Die Montage von Schutzvorrichtungen liegt in der Verantwortung des Benutzers.

11. Bei Geräten mit einem unabhängigen Steuersystem mit automatischer Neustartfunktion muss neben dem Bedienfeld folgender Hinweis stehen: „ACHTUNG: Diese Maschine kann ohne Vorwarnung anlaufen!“

12. Sämtliche Tanks und Behälter, die unter Druck stehen, müssen mit Sicherheitsventilen ausgestattet sein! Die unerlaubte Montage, Demontage oder Verstellung der vorhandenen Sicherheitsventile ist nicht gestattet.

1.4 Sicherheitshinweise für den Betrieb



Der Benutzer trägt die volle Verantwortung für Verletzungen oder Schäden, die während der Montage, des Betriebs, der Wartung sowie aufgrund von unberechtigter Nutzung der Anlage auftreten..

1. Stellen Sie sicher, dass die verwendeten Schläuche hinsichtlich Durchmesser und Betriebsdruck für die jeweiligen Geräte geeignet sind. Überprüfen Sie die einzelnen Schlauchanschlüsse vor der Inbetriebnahme auf festen Sitz. Eine lose Schlauchverbindung kann schwere Verletzungen verursachen.

2. Anlagen niemals einschalten, wenn leicht entzündliche Luftverunreinigungen vermutet werden.

3. Der Bediener, der das Gerät fernsteuert, muss sicherstellen, dass zu dem Zeitpunkt keine Montage- oder anderen Arbeiten an der Anlage durchgeführt werden. Folgender Warnhinweis muss gut sichtbar am Gerät angebracht sein: „ACHTUNG: Diese Maschine ist ferngesteuert und kann ohne Vorwarnung anlaufen!“

4. Das Gerät darf keinesfalls bei Müdigkeit sowie nach dem Konsum von Alkohol, Drogen oder Medikamenten, die die Reaktionszeit reduzieren, verwendet werden.

5. Das Gerät darf nicht betrieben werden, wenn Teile des Gehäuses entfernt wurden. Türen oder Abdeckungen dürfen zu Prüfzwecken und für geplante Kontrollen kurzzeitig geöffnet werden. Gehörschutz wird dringend empfohlen.



Bei manchen Geräten können offene Türen oder fehlende Abdeckungen während des Betriebs zu Überhitzung führen.

6. Bei Arbeiten unter Betriebsbedingungen oder in Gebäuden, in denen der Schalldruckpegel 90 dB (A) oder mehr erreicht, muss Gehörschutz getragen werden.

7. Wird beim Heizen des Gebäudes Druckluft zur Anlagenkühlung verwendet, muss die Luft gefiltert werden, damit sie zum Atmen geeignet ist.

8. Folgende Punkte sind regelmäßig zu kontrollieren:

- Vorhandensein von Sicherheitsvorrichtungen und -geräten;
- Zustand und Dichtigkeit sämtlicher Schläuche und Rohrleitungen;
- Lecks;
- Festigkeit von Halterungen und Strukturbauteilen;
- Zustand und Sicherheit der elektrischen Leitungen und Kontakte;
- Funktionstüchtigkeit und Sauberkeit von Sicherheitsvorrichtungen;
- Funktionstüchtigkeit von Strukturbauteilen und Anzeichen von Verschleiß;

1.5 Sicherheitshinweise für die Wartung und Reparatur



Der Benutzer trägt die volle Verantwortung für Verletzungen oder Schäden, die während der Montage, des Betriebs, der Wartung sowie aufgrund von unberechtigter Nutzung der Anlage auftreten..

1. Es sind ausschließlich original Ersatz- und Austauschteile zugelassen. Die Verwendung von Ersatzteilen anderer Hersteller kann zu unvorhersehbaren Ergebnissen und somit zu Unfällen führen.
2. Bei Montage- und Reparaturarbeiten ist stets eine Schutzbrille zu tragen!
3. Vor dem Anschließen oder Trennen von Geräten sind diese vom Hauptdruckluftsystem zu trennen. Stellen Sie sicher, dass die Schläuche nicht unter Druck stehen!
4. Vor Beginn von Montagearbeiten oder sonstigen Arbeiten muss sichergestellt werden, dass die Anlage nicht unter Druck steht. Es dürfen niemals Montagearbeiten an Anlagen, die unter Druck stehen, durchgeführt werden.
5. Sämtliche Wartungsarbeiten dürfen erst ausgeführt werden, wenn die Bauteile auf Raumtemperatur abgekühlt sind.
6. Verwenden Sie niemals leicht entzündliche Lösungsmittel oder Tetrachlormethan zur Reinigung von Strukturbauteilen. Treffen Sie entsprechende Vorkehrungen gegen giftige Dämpfe von Reinigungsmitteln.
7. Während Montage- und Reparaturarbeiten soll teein Hinweisschild am Bedienfeldangebracht sein, das vorunbefugtem Einschalten warnt. Beispiel: „Nicht einschalten. Gefahr für Bedienpersonal!“
8. Der Bediener, der das Gerät fernsteuert, muss sicherstellen, dass zu dem Zeitpunkt keine Montage- oder anderen Arbeiten an der Anlage durchgeführt werden. Folgender Warnhinweis muss gut sichtbar am Gerät angebracht sein: Siehe 1.3.9.

9. Halten Sie das Gebäude, in dem das Gerät steht, sauber. Schließen Sie offene Zu- und Abläufe während der Montage mit trockenen Lappen oder Papier, um zu verhindern, dass Schmutz in die Anlage gelangt.

10. Schweißarbeiten oder ähnliche Arbeiten dürfen nicht in unmittelbarer Nähe von Anlagen und Behältern, die unter Druck stehen, durchgeführt werden.

11. Schalten Sie die Anlage bei Verdacht auf Überhitzung, Entzündung sowie in anderen Notsituationen umgehend aus. Schalten Sie die Anlage sofort stromlos. Öffnen Sie Türen der Anlage erst, wenn sie sich auf Raumtemperatur abgekühlt hat, um Verbrennungen oder Verletzungen zu vermeiden.

12. Offene Flammen dürfen nicht als Lichtquelle für Inspektionen und Kontrollen der Anlage genutzt werden.

13. Verwenden Sie niemals ätzende Lösungsmittel, die Materialien im Druckluftsystem beschädigen könnten.

14. Stellen Sie nach Montagearbeiten oder anderen Arbeiten sicher, dass keine Werkzeuge, Lappen oder Ersatzteile im Gerät zurückgelassen wurden.

15. Achten Sie besonders auf die Sicherheitsventile. Kontrollieren Sie sie gründlich und entfernen Sie Staub und Schmutz. Ihre Funktion darf unter keinen Umständen beeinträchtigt sein. Denken Sie immer daran, dass Ihre Sicherheit von ihrer Funktionstüchtigkeit abhängt!

16. Stellen Sie nach Wartungs- oder Reparaturarbeiten und vor Beginn des Betriebs im normalen Modus sicher, dass der Betriebsdruck, die Temperatur und andere Werte richtig eingestellt sind. Stellen Sie sicher, dass alle Steuergeräte installiert sind und einwandfrei funktionieren.

17. Wischen Sie beim Wechsel von Filtern, Abscheidern usw. Staub-, Schmutz- und Ölablagerungen an der jeweiligen Stelle mit einem trockenen Tuch ab.

18. Schützen Sie Motor, Luftfilter, elektrische Komponenten, Steuerkomponenten usw. vor Kontakt mit dem Kondensat. Blasen Sie sie zum Beispiel mit trockener Luft ab.

19. Sicherheitshinweise für den Umgang mit Kältemittel:

- Niemals Kältemitteldämpfe einatmen. Stellen Sie sicher, dass der Arbeitsbereich gut belüftet ist. Bei Bedarf Atemschutz tragen.
- Tragen Sie immer Spezialhandschuhe. Wenn Kältemittel mit der Haut in Kontakt kommt, spülen Sie die betroffene Stelle mit reichlich Wasser ab. Wenn Kältemittel durch Kleidung hindurch mit der Haut in Kontakt kommt, versuchen Sie nicht, die Kleidung zu entfernen. Spülen Sie die Kleidung stattdessen gründlich mit klarem Wasser aus, bis das Kühlmittel ausgewaschen wurde. Suchen Sie anschließend einen Arzt auf.

20. Tragen Sie bei Montage- und Reparaturarbeiten (wie z. B. bei einem Ölwechsel) Schutzhandschuhe, um Verbrennungen und Verletzungen zu vermeiden.

2. Technische Daten und Funktionsbeschreibung



Die Garantie im festgelegten Zeitraum erlischt wenn:

- Der Gewährleistungsschein des Kompressors nicht vorhanden ist, oder wenn er fehlerhaft ausgefüllt ist.
- Wenn die Wartungsarbeiten nicht ordnungsgemäß im Servicebuch vermerkt sind.
- Wenn bei Reparaturen keine Comprag-Originalteile oder Schmiermittel benutzt werden.

2.1 Technische Daten

Article	Model	Drive power, compressor (kW)	Max. operating pressure (bar)	Output (m ³ /min)	Rated voltage, compressor (phase/V/Hz)	Noise (dB)	Receivers Volume (liter)	Refrigerated dryer, RDX-Series*	Screw connection	Oil capacity, liter
11410101	F0508	5,5	8	0,75	3/380/50	62	-	-	1/2"	5
11410102	F0510		10	0,65						
11410103	F0513		13	0,55						
11410104	FR0508-270		8	0,75			270	-		
11410106	FR0508-500		500							
11410105	FR0510-270		10	0,65			270	-		
11410107	FR0510-500		500							
11410108	FRD0508-270		8	0,75			270	X		
11410110	FRD0508-500		500							
11410109	FRD0510-270		10	0,65			270			
11410111	FRD0510-500		500							
11410201	F0708	7,5	8	1,1	3/380/50	65	-	-	1/2"	5
11410202	F0710		10	0,9						
11410203	F0713		13	0,6						
11410204	FR0708-270		8	1,1			270	-		
11410206	FR0708-500		500							
11410205	FR0710-270		10	0,9			270	-		
11410207	FR0710-500		500							
11410208	FRD0708-270		8	1,1			270	X		
11410210	FRD0708-500		500							
11410209	FRD0710-270		10	0,9			270			
11410211	FRD0710-500		500							

Article	Model	Drive power, compressor (kW)	Max. operating pressure (bar)	Output (m ³ /min)	Rated voltage, compressor (phase/V/Hz)	Noise (dB)	Receivers Volume (liter)	Refrigerated dryer, RDX-Series*	Screw connection	Oil capacity, liter
11410301	F1108	11	8	1,6	3/380/50	67	-	-	1/2"	8
11410302	F1110		10	1,4						
11410303	F1113		13	1,3						
11410304	FR1108-270		8	1,6			270	-		
11410306	FR1108-500						500			
11410305	FR1110-270		10	1,4			270	-		
11410307	FR1110-500						500			
11410308	FRD1108-270		8	1,6			270	X		
11410310	FRD1108-500						500			
11410309	FRD1110-270		10	1,4			270	-		
11410311	FRD1110-500						500			
11410401	F1508	15	8	2,3	3/380/50	69	-	-	1/2"	8
11410402	F1510		10	1,9						
11410403	F1513		13	1,5						
11410404	FR1508-270		8	2,3			270	-		
11410406	FR1508-500						500			
11410405	FR1510-270		10	1,9			270	-		
11410407	FR1510-500						500			
11410408	FRD1508-270		8	2,3			270	X		
11410410	FRD1508-500						500			
11410409	FRD1510-270		10	1,9			270	-		
11410411	FRD1510-500						500			
11410501	F1808	18,5	8	3,1	3/380/50	70	-	-	3/4"	8
11410502	F1810		10	2,5						
11410503	F1813		13	2,2						
11410504	FR1808-500		8	3,1			500	-		
11410505	FR1810-500								10	
11410506	FRD1808-500		8	3,1			10	2,5	X	
11410507	FRD1810-500								10	
11410601	F2208	22	8	3,6	3/380/50	70	-	-	3/4"	8
11410602	F2210		10	3						
11410603	F2213		13	2,6						
11410604	FR2208-500		8	3,6			500	-		
11410605	FR2210-500								10	
11410606	FRD2208-500		8	3,6			10	3,6	X	
11410607	FRD2210-500								10	

2.2 Allgemeine Beschreibung

Die Schraubenkompressoren der F Serie sind für die kontinuierliche und effiziente Druckluftzerzeugung konzipiert. Die F-Serie sind ölgefüllte Schraubenkompressoren mit Riemenantrieb und elektronischer Steuerung. Die stabile Konstruktion ist umschlossen von einem Geräusch isolierenden Gehäuse, ausgestattet mit dem Kontrollpanel t-Log (LCD Display), Start/Stop-Schalter und einem Not-Aus-Taster. Für die Systemüberwachung werden Temperatur und Druckrelais eingesetzt.

2.3 Ablaufdiagramm und Hauptkomponenten

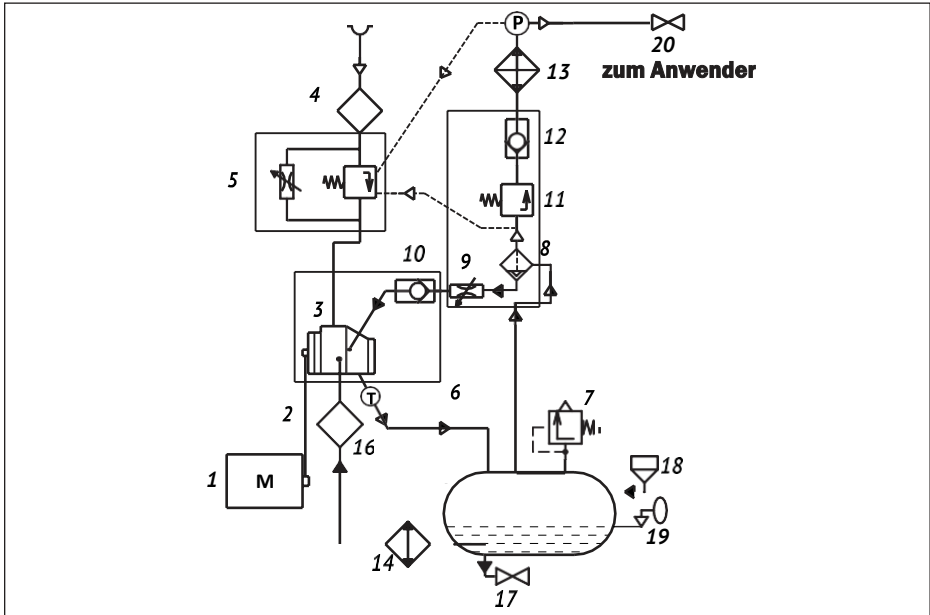


Bild 2.3.1 Ablaufdiagramm F05...F22.

	Luftfluß		Temperaturfühler
	Ölfluß		Drucksensor
	Luft/Öl Gemisch		Pneumatische Steuerleitung

Hauptkomponenten

1	Elektromotor	11	Mindestdruckventil
2	Riementrieb	12	Rückschlagventil
3	Schraubenblock	13	Wärmeaustauscher Luftabschnitt

4	Luftfilter	14	Wärmeaustauscher Ölabschnitt
5	Einlassventil	16	Ölfiter
6	Luft-/Ölabscheidetank	17	Ablassventil
7	Sicherheitsventil	18	Ölfiter Stopfen
8	Luft-/Ölabscheider	19	Sichtglas
9	Drosselventil	20	Ablassventil
10	Rückschlagventil		

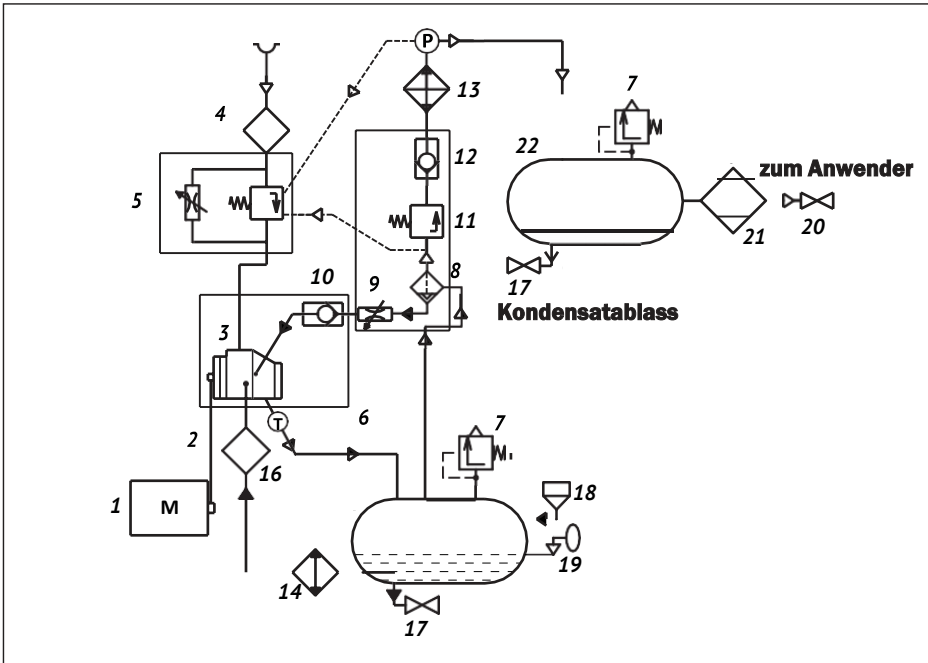


Bild 2.3.2 Ablaufdiagramm FR05...FR22..., FRD05...FRD22..

	Luftfluß		Temperaturfühler
	Öfluß		Drucksensor
	Luft/Öl Gemisch		Pneumatische Steuerleitung

Hauptkomponenten

1	Elektromotor	12	Rückschlagventil
2	Riementrieb	13	Wärmeaustauscher Luftabschnitt
3	Schraubenblock	14	Wärmeaustauscher Ölabschnitt

4	Luftfilter	16	Ölfiter
5	Einlassventil	17	Ablassventil
6	Luft-/Ölabscheidetank	18	Ölfiter Stopfen
7	Sicherheitsventil	19	Sichtglas
8	Luft-/Ölabscheider	20	Ablassventil
9	Drosselventil	21	Kältetrockner (nur in ARD-Version)
10	Rückschlagventil	22	Druckbehälter
11	Mindestdruckventil		

2.4 Funktionsbeschreibung

Luftkreislauf: Die Luft strömt durch den Luftfilter (4), öffnet das Einlassventil (5) und strömt weiter in den Schraubenblock (3) des Kompressors, wo sie komprimiert wird. Das Gemisch aus komprimierter Luft und Öl wird in den Luft-/Ölabscheidetank (6) geleitet. Danach über das Mindestdruckventil (11) durch den Wärmeaustauscher (13) zum Ablassventil abgeführt (20).

Ölkreislauf: Die Druckluft zwingt das Öl aus dem Luft-/Ölabscheidetank (6) durch den Wärmeaustauscher (14) und den Ölfiter (16) zum Schraubenblock (3) und den Schmierstellen. Im Luft-/Ölabscheidetank (6) wird das meiste Öl abgeschieden, der Rest wird im Luft-/Ölabscheider entfernt (8). Das Ölflusssystem ist mit einem thermostatischen Ventil (15) ausgestattet. Wenn die Öltemperatur unter dem Sollwert des Thermostatventils, trennt es die Ölversorgung vom Wärmeaustauscher (14). Das Thermostatventil öffnet die Zufuhr vom Wärmeaustauscher (14) wenn die Öltemperatur die voreingestellte Temperatur erreicht hat. Die Voreinstellungen sind Modellabhängig. Siehe auch Tabelle *Technische Daten*.

Kühlsystem: Im Kühlsystem arbeitet ein kombinierter Wärmetauscher mit einem Luftteil (13) und einem Ölteil (14). Ein Lüfter der Frischluft ansaugt, sorgt für einen Luftstrom, der den Wärmetauscher kühlt.

2.5 Pneumatikplan Last- Leerlauf

Die Anlage wird von einer elektronischen Steuerung t-Log (4) gesteuert, die den Netzdruck durch die Leer- Lastlaufregelung innerhalb der eingestellten Parameter regelt.

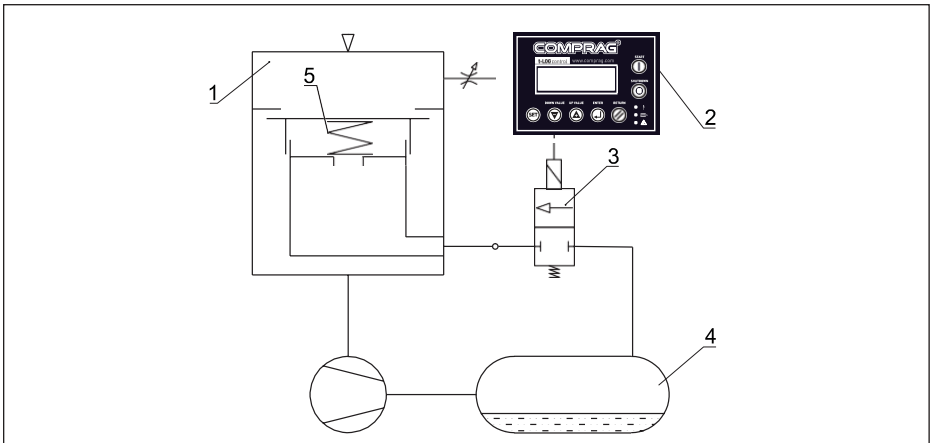


Bild 2.5 Pneumatikplan

Leerlauf und Stillstand: Wenn der Luftverbrauch geringer ist als die Luftmenge, die der Kompressor liefert, erhöht sich der Netzdruck. Wenn der Netzdruck die obere vorangestellte Grenze erreicht (Ausschaltdruck), schaltet die Steuerung das Magnetventil (6) ab und entlüftet pneumatisch die Steuerleitung des Einlassventils (1). Der Schieber (2) des Einlassventils (1) schließt sich durch die Federkraft:

1. Die Steuerleitung des Einlassventils (3) und das Entlastungsventil (5) sind durch das Magnetventil (6) entlüftet.
2. Der Schieber (2) des Einlassventils (1) ist geschlossen.
3. Das Entlastungsventil (5) öffnet sich durch den im Luft-/Ölabscheidetank entstehenden Überdruck und leitet den Überdruck durch die Saugfilter ab.
4. Der Überdruck stabilisiert sich auf einen vorangestellten niedrigen Wert, der Kompressor stellt die Druckluftzerzeugung ab (0%) und befindet sich im Leerlauf. Nach Ablauf einer vorangestellten Zeit schaltet der Kompressor in den Stillstand.

Lastlauf: Wenn der Luftverbrauch wieder stattfindet, verringert sich der Netzdruck. Wenn der Netzdruck die untere vorangestellte Grenze erreicht (Einschaltdruck), schaltet die Steuerung das Magnetventil (6) ein, und die pneumatische Steuerleitung des Einlassventils (1) erhält einen Steuerdruck.

1. Der Steuerdruck kommt aus dem Luft-/Ölabscheidetank (7) durch das eingeschaltete Magnetventil (6) in das Einlassventil und öffnet den Schieber (2).
2. Das Entlastungsventil (5) bleibt geschlossen.
3. Der Kompressor liefert wieder Druckluft (100%) und befindet sich im Lastlauf.

2.6 Elektro-Schaltplan



Bild 2.6 Elektro-Schaltplan F05.. – F22..., FR05.. – FR22..., FRD05.. – FRD22.*

*Elektro-Schaltplan für RDX in der zugehörigen Dokumentation.

Hauptkomponenten

K1, K2, K3, K4	Schütz	YA	Elektromagnetventil
M1	Elektromotor	R	Steuerung
T	Temperatursensor	I/P	Drucksensor
SB	Not-Aus	CT1	Transformator
F1, F2	Sicherung	TR	Transformator
M2	Lüftermotor	QS	Automatischer Leistungsumschalter

2.7 Elektrische Anschlusswerte

Spannung (V)	Frequenz (Hz)	A07..	A11..	A15..	A18..	A22..
Material - Kupfer. Kabelquerschnitt (mm ²)						
380 / 400	50	6	6	6	10	10
Sicherung (A)						
380 / 400	50	35	35	35	40	50
Motorüberlastrelais (A)						
380 / 400	50	15,5	12,7	16,7	20,2	23,7

3. Inbetriebnahme

3.1 Transport



Alle Transportvorgänge sollten mit einem Gabelstapler, dessen Traglast für das Gewicht Ihres Kompressors ausgelegt ist durchgeführt werden. Hebevorgänge können auch mit Kran, Seilwinden oder anderen Hebezeugen, mit Verwendung von Transporttraversen der richtigen Länge ausgeführt werden. Beachten Sie die örtlichen Sicherheitsvorschriften.

Für den Transport mit dem Gabelstapler, nutzen Sie die Transportlanglöcher im Gestell. Der Kompressor hat Transportlanglöcher mit einer Breite von C – Bild 5. Bewegen Sie den Kompressor vorsichtig.

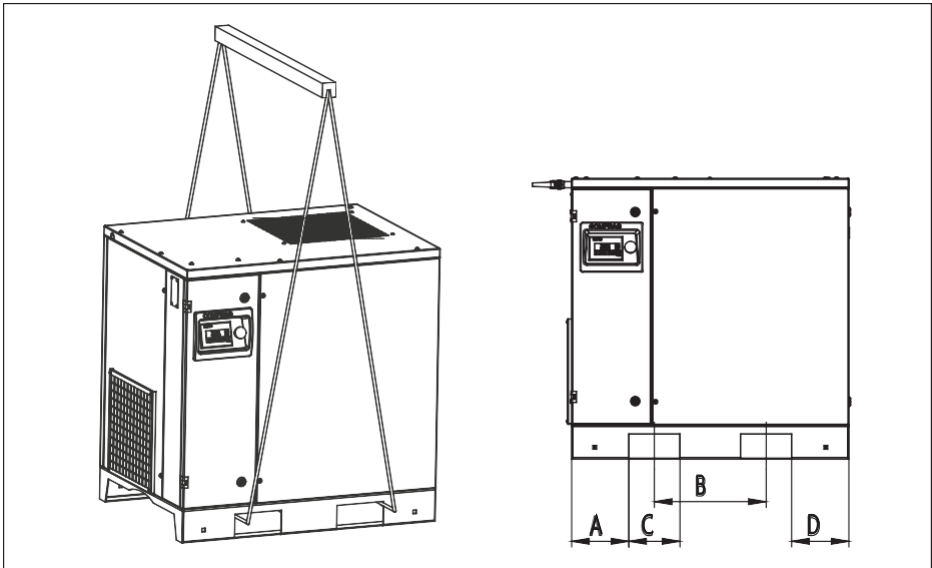


Bild 3.1.1 Heben und Transportieren F05.. – F22..

Modell	A, mm	B, mm	C, mm	D, mm	G, mm
F05 - 07..	100	383	185	92	900
F11..	130			202	
F15..				302	
F18..	135			1000	
F22..					

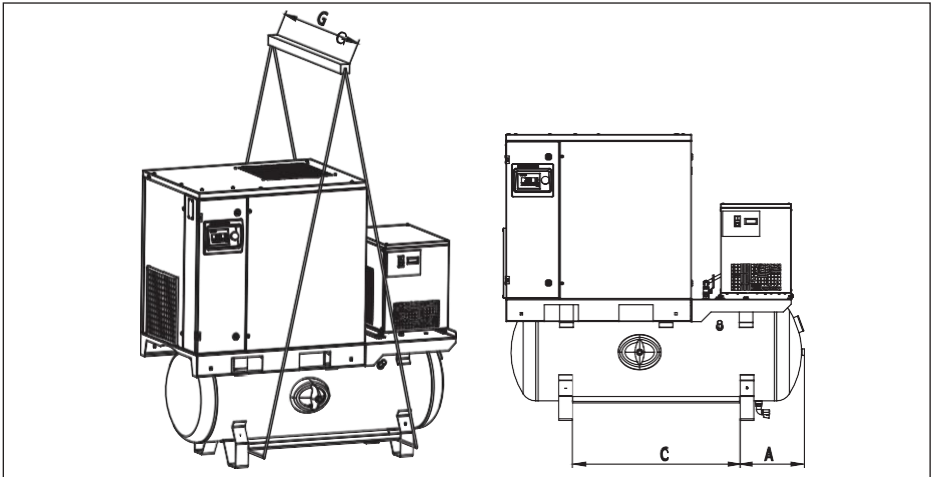


Bild 3.1.2 Heben und Transportieren FR05.. – FR22.., FRD05.. – FRD22..

Modell	A, mm	B, mm	C, mm	D, mm	G, mm
FR05../ FRD05..	100	383	185	92	900
FR07../ FRD07..				202	
FR11../ FRD11..	130			302	
FR15../ FRD15..					
FR18../ FRD18..	135				
FR22../ FRD22..					

3.2 Abmessungen

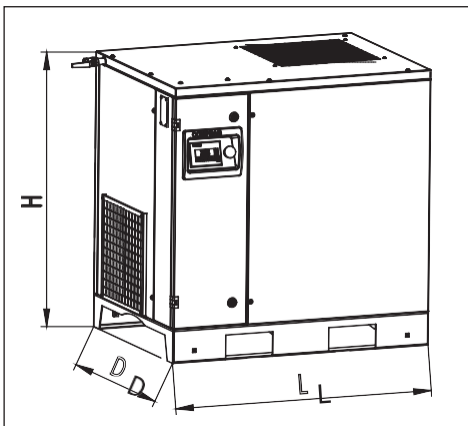


Bild 3.2.1 Abmessungen A07.. – A22..

Modell	Hauptabmessungen Kompressor			
	Länge L, mm	Breite D, mm	Höhe H, mm	Weight, kg
F05	973	724	964	280
F07				302
F11	1003	800	1123	315
F15				335
F18	1083	884	1123	425
F22				445
Hauptabmessungen Verpackung				
F05	1075	825	1115	310
F07				332
F11	1100	900	1250	347
F15				367
F18	1200	1000	1250	470
F22				490



Билд 3.2.2 Абmessungen FR05..-FR22, FRD05..-FRD22.

Modell	Hauptabmessungen Kompressor				Hauptabmessungen Verpackung			
	Länge L, mm	Breite D, mm	Höhe H, mm	Weight, kg	Länge L, mm	Breite D, mm	Höhe H, mm	Weight, kg
FR05-270	1500	724	1472	400	1700	825	1630	445
FRD05-270	1546			435				480
FR05-500	1855	724	1586	445	2050	880	1780	498
FRD05-500	1855			480				538
FR07-270	1500	724	1472	422	1700	825	1630	467
FRD07-270	1546			457				502
FR07-500	1855	724	1586	467	2050	880	1780	520
FRD07-500	1855			495				553
FR11-270	1500	800	1631	435	1700	900	1800	482
FRD11-270	1558			482				532
FR11-500	1855	800	1740	525	2050	950	1930	578
FRD11-500	1855			557				605
FR15-270	1500	800	1631	455	1700	900	1800	502
FRD15-270	1558			492				542
FR15-500	1855	800	1740	535	2050	950	1930	588
FRD15-500	1855			577				625
FR18-500	1855	884	1740	580	2050	1000	1930	630
FRD18-500	1905			645				695
FR-22-500	1855	884	1740	600	2050	1000	1930	650
FRD-22-500	1905			665				715

3.3 Voraussetzungen für die Installation am Standort

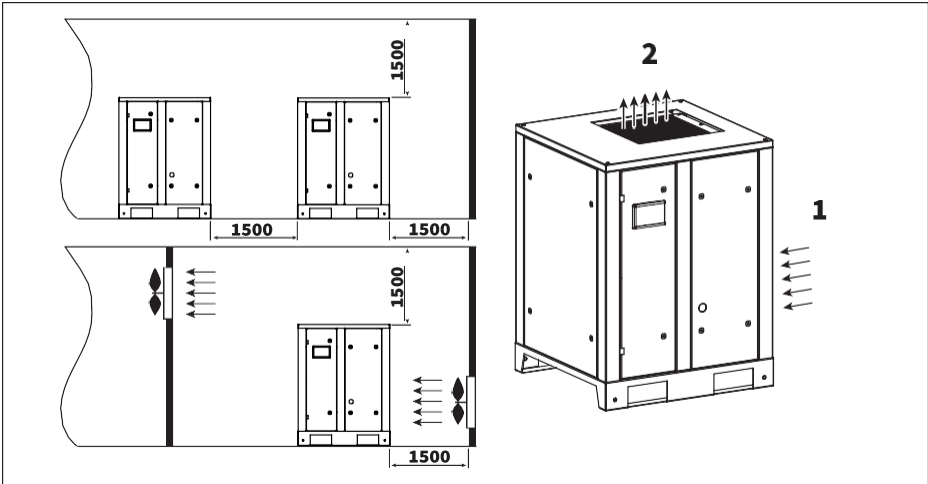


Bild 3.5 Installationsvorschlag FO5.. - F22..

1. Luftansaugung
2. Luftablass



Bild 3.6 Installationsvorschlag FR05..-FR22, FRD05..-FRD22

1. Luftansaugung
2. Luftablass

Versichern Sie sich, dass der Untergrund im Arbeitsumfeld des Kompressors für das Komplettgewicht der Druckluftanlage ausgelegt ist. Justieren Sie die horizontale Achse des Kompressors mit Hilfe eines Nivellierinstruments. Wenn der Kompressor nicht mit dem Untergrund verankert ist, darf der Winkel zur horizontalen Ebene des Untergrundes nicht mehr als 3° betragen. Wenn der Kompressor mit dem Untergrund verankert ist, dürfen 7° nicht überschritten werden. Montieren Sie den Kompressor mindestens 1,5 m von den Wänden entfernt.

Wenn mehrere Kompressoren montiert werden, halten Sie einen Minimumabstand von 1,5 m von Kompressor zu Kompressor ein. Zwischen Kompressor und Druckluftzubehör sollten 4 m Sicherheitsabstand gelassen werden. Der Standort des Kompressors muss mit einem kombinierten Be- und Entlüftungssystem ausgestattet werden.



Am Standort des Kompressors, sollte ein doppelt so großer Luftmenge, wie der vom Hersteller angegebene Luftvolumenstrom zur Verfügung stehen.

Das Volumen der Absaugung darf maximal 40% des Luftvolumenstroms der Belüftung am Einsatzort des Kompressors betragen. Die Temperatur am Einsatzort des Kompressors darf nicht unter 5+ °C fallen. Benutzen Sie einen Lüftungskanal /Schlauch um die heiße Abluft des Kompressors abzuleiten. Er sollte bis zu 3m lang und mit einem 20% größeren Querschnitt als der Abgang am Kältetrockner sein. Wenn Sie einen länger als 3 Meter langen Lüftungskanal /Schlauch verwenden, müssen Sie zusätzliche Lüfter anbringen.

3.4 Anbindung an die Druckluftleitung

Sorgen Sie dafür, dass die Durchsatzkapazität der Druckluftlinie mit der Leistung des Kompressors übereinstimmt. Verbinden Sie den Kompressor mit flexiblen Schläuchen um Dichtigkeitsschäden in der Druckluftleitung zu vermeiden. Alle Komponenten der Druckluftlinie müssen einen Betriebsdruck haben, der den Nenndruck des Kompressors nicht überschreitet. Benutzen Sie einen Druckluftkessel mit einem passenden Volumen zu der Leistung des Kompressors und der Endverbraucher.

3.5 Anbindung an das Stromnetz

Das Stromkabel ist im Lieferumfang nicht enthalten. Der Kompressor wird ohne Stromkabel geliefert. Die Kabelgröße muss so gewählt werden, dass der maximale Spannungsverlust weniger als 5% beträgt.

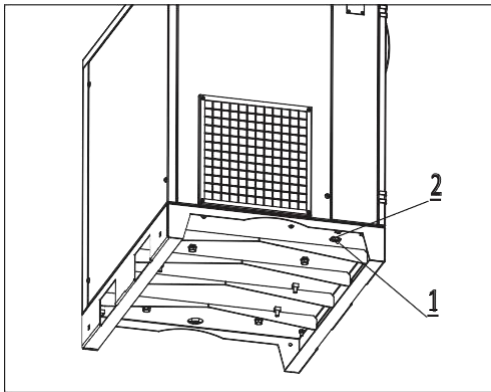
F05..	F07..	F11..	F15..	F18..	F22..
Material - Kupfer. Kabelquerschnitt (mm ²)					
4	6	6	6	10	16
Sicherung (A)					
25	35	35	50	63	63

Die Kabellänge darf 25 Meter nicht überschreiten. Raumtemperatur muss unter 40°C liegen. Das Kabel muss eine feuerfeste Ummantelung haben. Es muss ein Not-Aus-Schalter in Reichweite des Kompressors vorhanden sein, um die Stromverbindung notfalls zu trennen.



Der Kompressor muss in jeder Phase geerdet und geschützt sein, um Kurzschlüsse und andere Fehler zu vermeiden.

Das Stromkabel muss am Kompressor angeschlossen werden.



Entfernen Sie das rechte Seitenpanel, führen Sie das Stromkabel durch Öffnung (1) und in Steckplatz (2). Verbinden Sie das Stromkabel mit Klemmplatz (4). Die Erdsader des Stromkabels muss mit dem Erdungsbolzen (3) verbunden werden.

Bild 3.5.1 Stromkabelverbindung

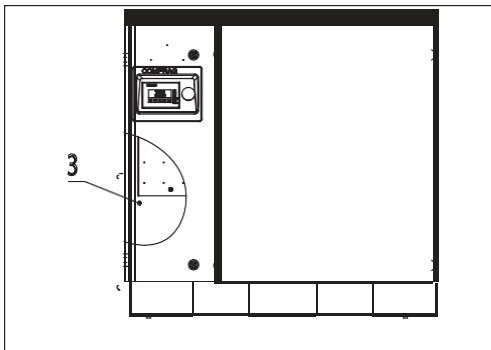


Bild 3.5.2 Stromkabel Klemmverbindungen

4. Betrieb



Unqualifiziertes Personal darf den Kompressor nicht bedienen

4.1 Steuer- und Bedieneinheit

Die Kompressoren F 5,5 bis F 22 sind mit einer elektronischen Steuerung t-Log ausgestattet. Die t-log Steuerung regelt den Anlagendruck über programmierbare Grenzen durch die Leer- Lastlaufregelung. Die Steuerung beinhaltet eine Vielzahl von Einstellungsmöglichkeiten z.B. minimale Anzahl der Stops und die maximale Anzahl an Motorstarts. Zur Reduzierung des Stromverbrauchs stoppt die elektronische Steuerung t-Log den Kompressor bei jeder Gelegenheit und startet ihn wieder automatisch bei Absinken des Netzdrucks. Zur Vermeidung zu kurzer Stillstandszeiten wird der Kompressor bei einer erwarteten zu kurzen Abschaltdauer nicht gestoppt.

Bedieneinheit








Um den Kompressor zu steuern, und um Programmdaten und Parameter abzulesen, verfügt die Steuerung über:

- Kompressor-Status-LEDs
- Der Display zeigt Betriebsbedingungen, Servicehinweise oder Fehlermeldungen an
- Bedienfeld für die Bedienung und den Zugriff auf gesammelte Daten
- Manuelle Start- und Stoppschalter
- Notaus-Schalter

Bild 4.1 Bedienfeld t-Log







Control panel buttons

	Kompressor starten		Auf oder Wert erhöhen
	Kompressor stoppen		Ab oder Wert senken
	Zurück zum Hauptmenü		Vorgabe speichern
	Wert übernehmen / Manuell schalten Last-/Leerlauf		

LED-Anzeigen

 	Betriebsanzeige (rot): Die Anzeige leuchtet auf, wenn die Steuerung eingeschaltet ist und die Stromversorgung ist angeschlossen.
 	Betriebsanzeige (grün): Die Anzeige leuchtet auf, wenn der Motor läuft.
 	Alarm-/Fehleranzeige (rot) Alarm (Warnung): Die Anzeige blinkt, die Maschine läuft weiter. Fehler: Die Anzeige leuchtet permanent, begleitet von einem Tonsignal, die Maschine schaltet ab. Die Fehlermeldung kann quittiert werden nachdem die Fehlerursache behoben wurde. Um die Fehlermeldung zu quittieren, drücken und halten Sie die Taste "Zurück zum Hauptmenü".

LCD Anzeige

COMPRAG DRUCK-LUFTKOMPRESSOR	Nach dem Einschalten zeigt das LCD-Display folgendes an:
Nach 5 Sekunden werden die laufenden Hauptparameter angezeigt:	
TEMP: --°C SYS STOP C01	Aktuelle Temperatur des Öl-Luft-Gemisches Aktueller Betriebszustand des Kompressors
Drücken Eingabe  .	
DRUCK: --bar SYS STOP C01	Aktueller Druck am Luftaustritt des Kompressors Aktueller Betriebszustand des Kompressors
Klicken Sie  ,  und  -um das Auswahlmnü aufzurufen:	
ARBEITSPARAMET	Beinhaltet laufende Werte (offen zur Ansicht)
BENUTZ. PARAM	Beinhaltet Betriebseinstellungender Hauptparameter(offen zur Ansicht, Änderungen passwortgeschützt)
WERKSEINTELLUG	Für Servicebetrieb Ansicht mit Passwort, Änderung nur beim Hersteller möglich
EINTEL. PARAM	Grundeinstellungen und Wartungsstundenzähler (passwortgeschützt)

Arbeitsparameter

Diese Parameter gelten nur für die Anzeige der aktuellen Einstellungen des Produkts.

ARBEITSPARAMETER	
MOTOR M1 A-0.0	Phasenstrom von Hauptmotor
B-0.0 C-0.0	Aktueller Wert

GES. EIN-ZEIT:	Gesamtbetriebsstunden
-h-m	Aktueller Wert

GESAMT LASTLAUF:	Gesamtlaststunden
-h-m	Aktueller Wert

AKTUAL EIN-ZEIT:	Betriebsstunden seit letztem Start
-h-m	Aktueller Wert

AKTUAL LASTLAUF:	Zeit im Lastlauf seit letztem Start
-h-m	Aktueller Wert

ÖLFILTER ZEIT	Betriebsstunden seit letztem Service
0110h	Aktueller Wert

SEPARATOR ZEIT	Betriebsstunden seit letztem Service
0110h	Aktueller Wert

LUFTFILTER ZEIT	Betriebsstunden seit letztem Service
0110h	Aktueller Wert

ÖLWECHSEL ZEIT	Betriebsstunden seit letztem Service
0110h	Aktueller Wert

SCHMIERUNG M1	Betriebsstunden seit letztem Service
0110h	Aktueller Wert

RIEMEN WECHSELN	Betriebsstunden seit letztem Service
0110h	Aktueller Wert

ALARM1: 000110H	Fehlerverlauf Eintrag 1. Fehlerzeit
T. SENS AUSFALL	Fehlerbeschreibung

ALARM2: 000110H	Fehlerverlauf Eintrag 2. Fehlerzeit
D. SENS AUSFALL	Fehlerbeschreibung

ALARM3: 000110H	Fehlerverlauf Eintrag 3. Fehlerzeit
PHASENFOLGE	Fehlerbeschreibung

ALARM4: 000110H	Fehlerverlauf Eintrag 4. Fehlerzeit
D. SENS AUSFALL	Fehlerbeschreibung

ALARM5: 000110H	Fehlerverlauf Eintrag 5. Fehlerzeit
D. SENS AUSFALL	Fehlerbeschreibung

HERSTEL DATUM	Herstellungsdatum
9999-99-99	

SERIENNUMMER	Seriennummer
99999999	

VERB. STATUS	Diese Funktion wird nicht genutzt
RX- TX-	

Wenn im aktuellen Menü 60 Sekunden lang keine Aktion ausgeführt wird, kehrt die Steuerung automatisch zum Hauptmenü zurück.

Benutzerparameter

Die Inhalte dieses Menüpunktes können angezeigt werden, sind jedoch durch ein Passwort vor Änderungen geschützt. Änderungen dürfen nur durch geschultes Fachpersonal durchgeführt werden.

LÜFTER START	Einschalttemperatur des Lüfters
0080 °C	Eingestellter Wert

LÜFTER STOP	Ausschalttemperatur des Lüfters
0070 °C	Eingestellter Wert

LASTLAUF DRUCK	Einschaltdruck
6.5bar	Eingestellter Wert

LEERLAUF DRUCK	Ausschaltdruck
8.0bar	Eingestellter Wert

LEERLAUFZEIT	Zeit bevor der Kompressor in Stillstand geht
1200s	Eingestellter Wert

START MODUS	Start Modus: REMOTE ZUGRIFF / LOKALER ZUGRIFF
REMOTE ZUGRIFF	Eingestellter Wert

LASTLAUF MODUS	Lastlauf Modus: AUTO / MANUAL
AUTO	Eingestellter Wert

KOM. MODUS	Kommunikation Modus: COMPUTER / GRUPPE / VERBOT
COMPUTER	Eingestellter Wert

COM ADRESSE	Netzwerk Adresse
0001	Eingestellter Wert

GRUPPENSTATUS	Teilnehmerrolle: MASTER / FOLLOWER (SLAVE)
MASTER	Eingestellter Wert

UMSCHALTZEIT	Gruppenfunktion. Umschaltzeit
0099h	Eingestellter Wert

ANZAHL GRUPPE	Gruppenfunktion. Anzahl der Gruppenmitglieder
0016	Eingestellter Wert

GR. LAST. DRUCK	Gruppenfunktion. Einschaltdruck
6.0bar	Eingestellter Wert

GR. LEER. DRUCK	Gruppenfunktion. Ausschaltdruck
8.0bar	Eingestellter Wert

GR. VERZÖGERUNG	Gruppenfunktion. Verzögerung
0200s	Eingestellter Wert

ÖLFILTER RST	Hier wird nach der Wartung der Zähler auf „0“ gesetzt
0110h	Eingestellter Wert

SEPARATOR RST	Hier wird nach der Wartung der Zähler auf „0“ gesetzt
0110h	Eingestellter Wert

LUFTFILTER RST	Hier wird nach der Wartung der Zähler auf „0“ gesetzt
0110h	Eingestellter Wert

ÖLWECHSEL RST	Hier wird nach der Wartung der Zähler auf „0“ gesetzt
0110h	Eingestellter Wert

SCHMIER. M1 RST	Hier wird nach der Wartung der Zähler auf „0“ gesetzt
0110h	Eingestellter Wert

RIEMEN RST	Hier wird nach der Wartung der Zähler auf „0“ gesetzt
0110h	Eingestellter Wert

ÖLFILTER EINST	Hier wird der Wartungsintervall eingestellt
0500h	Eingestellter Wert

SEPARATOR EINST	Hier wird der Wartungsintervall eingestellt
2000h	Eingestellter Wert

LUFTFIL. EINST	Hier wird der Wartungsintervall eingestellt
2000h	Eingestellter Wert

ÖLWECHSEL EINST	Hier wird der Wartungsintervall eingestellt
0500h	Eingestellter Wert

SCHMIER. EINST	Hier wird der Wartungsintervall eingestellt
4000h	Eingestellter Wert

RIEMEN EINST	Hier wird der Wartungsintervall eingestellt
4000h	Eingestellter Wert

SPRACHE AUSWAHL	Sprachauswahl EN/DE
ENGLISH	Eingestellter Wert

BENUTZER PASS	Benutzerpassword
****	Nicht ändern

Wenn im aktuellen Menü 60 Sekunden lang keine Aktion ausgeführt wird, kehrt die Steuerung automatisch zum Hauptmenü zurück.

Werkseinstellungen

Für Servicebetrieb Ansicht mit Passort, Änderung nur beim Hersteller möglich.


EINSTEL. parameter

Grundeinstellungen und Wartungsstundenzähler (passwortgeschützt).

4.2 Fehlerbeschreibung

Alarm (Warnung): Die Anzeige blinkt, die Maschine läuft weiter.

Fehler: Die Anzeige leuchtet permanent, begleitet von einem Tonsignal, die Maschine schaltet ab. Die Fehlermeldung kann quittiert werden nachdem die Fehlerursache behoben wurde. Um die Fehlermeldung zu quittieren, drücken und halten Sie die Taste "Zurück zum Hauptmenü".

	Die weitere Benutzung ohne die Fehlerursache zu beheben ist nicht gestattet!
---	--

Alarm (Kompressor läuft weiter)

ALARM:	Temperatur des Luft-Ölgemisches hoch
TEMP HOCH 105 °C	

ALARM: 0110h	Wartungsintervall überschritten
ÖLFILTER BALD	

ALARM: 0110h	Wartungsintervall überschritten
RIEMENWECH BALD	


ALARM: 0110h	Wartungsintervall überschritten
LUFFILTER BALD	

ALARM: 0110h	Wartungsintervall überschritten
SEPARATOR BALD	

ALARM: 0110h	Wartungsintervall überschritten
ÖLWECHSEL BALD	

ALARM: 0110h	Wartungsintervall überschritten
SCHMIER M1 BALD	

Alarmer zur Wartung werden bei eingestellter Zeit vor der Wartung ausgelöst. Bei überzogenem Wartungsintervall wird die Alarmmeldung periodisch wiederholt angezeigt..

	Die weitere Benutzung ohne die Fehlerursache zu beheben ist nicht gestattet!
---	--

Fehlermeldungen (Kompressor stoppt bzw. Startet nicht)

TEMP: 99 °C	Not-Aus-Schalter gedrückt
NOT-AUS C01	

STOP: DRUCK	Zulässiger Betriebsdruck überschritten
HOCH 10.4bar	

STOP:	Zulässige Temperatur des Luft-Ölgemisches überschritten
TEMP HOCH 110 °C	

TEMP: 0 °C	Die Umgebungstemperatur ist zu niedrig (Öltemperatur unter 5 °C)
TEMPER LOW C01	

STOP: ÜBERLAST	Stromaufnahme Hauptmotor M1 zu hoch
M1 STROM 104.8A	

STOP:	Falsche Phasenfolge
PHASENFOLGE	

STOP:	Unsymmetrie der Versorgungsspannung
MOTOR UNSYMMETR	

STOP:	Phasenausfall
PHASENAUSFALL C	

STOP: TEMP	Temperatursensorausfall
SENSOR FEHLER	


STOP: DRUCK	Drucksensorausfall
SENSOR FEHLER	

Die Steuerung speichert die letzten 5 Fehler.

4.3 Kompressor starten


	Überprüfen Sie vor dem Start den Ölstand über das Sichtglas am Separatorkessel
---	--

Strom einschalten Öffnen Sie das Ablassventil.

Drücken Sie  "Start" auf der Bedieneinheit.

Der Kompressor wird im Automatikmodus von der t-Log Steuerung geregelt.

4.4 Abschalten des Kompressors

	Um den Kompressor im Notfall zu stoppen drücken Sie den Not-Aus-Taster. Wenn die Situation geklärt ist, muss der Taster vor dem Neustart wieder zurückgestellt werden. Neustart frühestens nach 10 minuten
---	--

Drücken Sie den  "Not-Aus-Taster".

Der Kompressor stoppt, der LCD-Display schaltet sich aus.

Schließen Sie das Ablassventil.

Trennen Sie die Stromverbindung.

5. Wartung

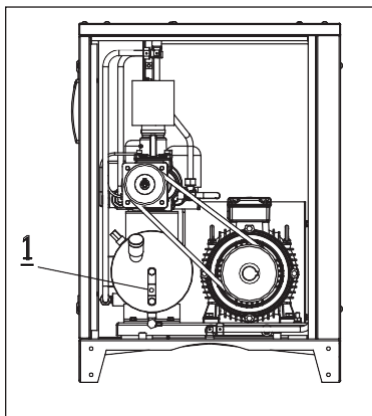
5.1 Wartungsplan

Wartungsplan

	Täglich	Monatlich	Jährlich	Wartungsintervalle (Arbeitsstunden)			
				M-1	M-2	M-3	M-2
				500	2000	4000	6000
Ölstand	Prüfen/ Nachfüllen						
Kompressoröl				Austauschen	Austauschen	Austauschen	Austauschen
Luftfilter*		Reinigen			Austauschen	Austauschen	Austauschen
ÖlfILTER				Austauschen	Austauschen	Austauschen	Austauschen
Luft-Öl Separator						Austauschen	
Antriebsriemen		Prüfen					
Wärmeaustauscher		Reinigen					
Lagerung Elektromotor			nach-schmieren				
Einlassventil			Prüfen				
Mindestdruckventil			Prüfen				
Sicherheitsventil			Prüfen				

Wenn 6000 Betriebsstunden erreicht sind, sollte alternativ alle 2000 Stunden nach Plan M-2 oder M-3 gewartet werden. Tägliche, wöchentliche, monatliche und jährliche Wartungsarbeiten ersetzen nicht die zeitlich vorgegebenen Wartungsintervalle.

5.2 Ölstandskontrolle



Kontrollieren Sie den Ölstand täglich. Der Ölstand kann visuell am Ölstandsanzeiger (1) des abgeschalteten Kompressors abgelesen werden. Der Ölstand muss immer im Sichtglas zu erkennen sein. Wenn dies nicht der Fall ist, muss neues Öl nachgefüllt werden.

Bild 5.2 Ölstandsüberwachung

5.3 Überprüfung des Antriebriemens

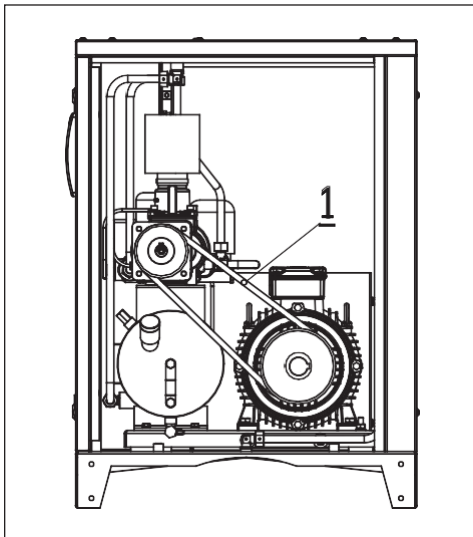


Bild. 5.3 Überprüfung des Antriebriemens

Überprüfen Sie monatlich den Zustand und die Spannung des Antriebriemens

Um den Riemen zu erreichen, stoppen Sie den Kompressor und entfernen Sie das linke Seitenpanel. Überprüfen Sie den Riemen (1) auf Verschleiß, Ausfransungen und Risse. Wenn der Riemen beschädigt ist, muss er umgehend ersetzt werden. Nutzen Sie ein Vorspannungsmessgerät um die Spannkraft des Riemens zu prüfen.

Modell	Maximaler Betriebsdruck, bar	Spannkraft F, N
F05 - F07, FR05 - FR07, FRD05 - FRD07	8	300
	10	300
	13	400
F11, FR11, FRD11	8	250
	10	250
	13	300
F15, FR15, FRD15	8	250
	10	300
	13	300
F18, FR18, FRD18	8	250
	10	300
	13	300
F22, FR22, FRD22	8	400
	10	450
	13	500

5.4 Austausch des Öls und der Ölfilter



Bild 5.4.1 Austausch des Öls

Öffnen Sie das Frontpanel und drehen Sie den Stopfen des Einfüllstutzens (2) eine Umdrehung im Uhrzeigersinn um das System zu entlüften. Jetzt können Sie den Stopfen entfernen. Des Weiteren müssen Sie den Stopfen des Ablassventils (1) im Boden des Luft-/Ölabscheidetank entfernen. Lassen Sie das Öl in ein separates Behältnis ab, nachdem Sie das Ablassventil geöffnet haben.

Befüllen Sie nun den Luft-/Ölabscheidetank erneut, bis der Ölstandsanzeiger mittig im Sichtglas mit Öl gefüllt ist. Befestigen Sie die Stopfen wieder an ihren ursprünglichen Positionen.



Bild 5.4.2 austausch des Ölfilters

Öffnen Sie das rechte Seitenpanel. Entfernen Sie den Ölfilter (1) mithilfe eines Ölfilterschraubenschlüssels. Lassen Sie das Öl in ein separates Behältnis ab und reinigen Sie den Filtersitz. Jetzt kann das Gewinde des neuen Filters geölt und per Hand eingeschraubt werden. Starten Sie den Kompressor, dann stoppen Sie ihn, und lassen ihn für mehrere Minuten im Leerlauf laufen, damit das Öl zirkulieren und die Luft aus dem System entfernt werden kann.

Warten Sie bitte, bis sich das Öl in den Leitungen gesetzt, und sich der innere Druck reguliert hat. Wenn nötig, schrauben Sie den Einfüllstutzen auf und befüllen Sie bis der Ölstandsanzeiger mittig im Sichtglas mit Öl gefüllt ist. Befestigen Sie den Stopfen wieder an seiner ursprünglichen Positionen.

5.5 Austausch des Luftfilters

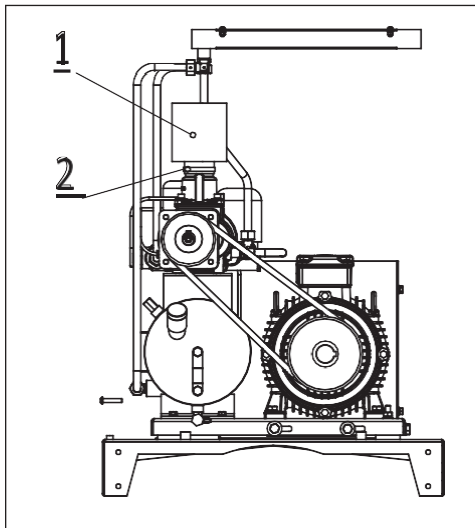


Bild 5.5 austausch des Luftfilters

Öffnen Sie das linke Seitenpanel und entfernen Sie die Schelle (2). Sie können den verschmutzten Luftfilter und die Befestigungsschelle sicher demontieren. Nun setzen Sie den Filter ein und fixieren ihn erneut.

5.6 Wechsel des Antriebsriemens



Bild 5.6 Wechsel des Antriebsriemens

Öffnen Sie das linke Seitenpanel, lösen Sie die 4 Schrauben (3), die die Konsole des Schraubenblocks schützen mit jeweils 2 Umdrehungen. Dann Lösen Sie die 2 Bolzen des Motors (2) und die zugehörigen Muttern (1) an der Spannvorrichtung des Riemen mithilfe eines Schraubenschlüssels. Entfernen Sie die alten Riemen von der Riemenscheibe und installieren Sie die Neuen. Nach der Installation mit der richtigen Spannkraft (siehe Abschnitt 5.3 Überprüfung des Antriebsriemens) müssen die 2 Bolzen, die Muttern und die 4 Schrauben wieder angezogen werden. Prüfen Sie die Riemenspannung bei vier Betriebsstunden des Kompressors mithilfe von Abschnitt 5.3.

5.7 Austausch des Luft/Öl- Separators

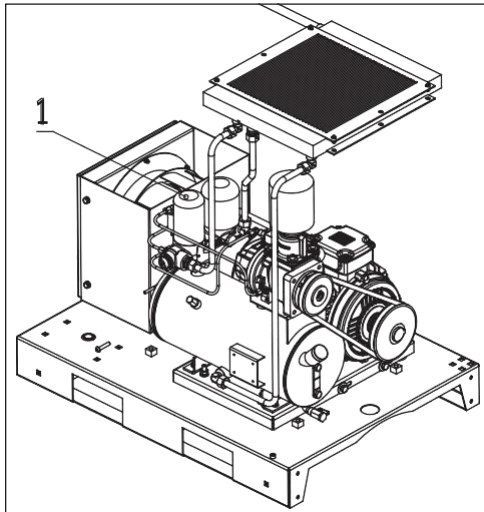


Bild. 5.7 Austausch des Luft/Öl- Separators

Öffnen Sie das rechte Seitenpanel. Entfernen Sie den Separator (1) mithilfe eines Ölfilterschraubenschlüssels.

Jetzt kann das Gewinde des neuen Filters geölt und per Hand eingeschraubt werden

5.8 Wärmeaustauscher reinigen

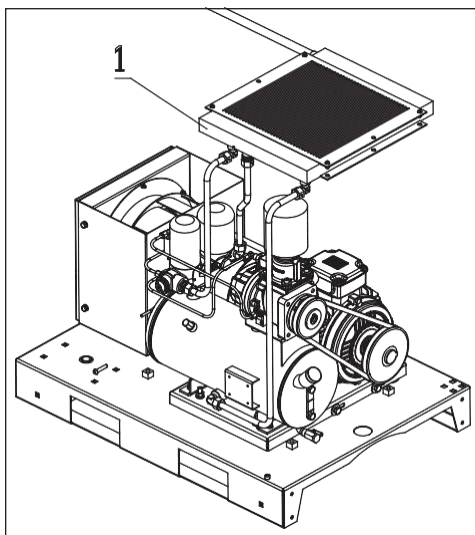


Bild. 5.8 Wärmeaustauscher reinigen

Öffnen Sie das Frontpanel um den Wärmeaustauscher (1) zu erreichen. Reinigen Sie den Wärmeaustauscher regelmäßig um die Kühlfunktion optimal zu halten.

Entfernen Sie Staub und Schmutz mit einer weichen Bürste, dann blasen Sie den Wärmeaustauscher von unten nach oben mit Druckluft ab. Die Düse sollte im 90° Winkel zu der Kompressorebene gehalten werden.

5.9 Kontrolle des Ansaugventils

Um das Ansaugventil zu erreichen, muss der Luftfilter wie in Abschnitt 5.5 entfernt werden. Öffnen Sie nun die Drosselklappe manuell um sicher zu gehen, dass es reibungslos und komplett geöffnet werden kann. Falls die Drosselklappe blockiert, oder nicht ordnungsgemäß arbeitet, muss ein neues Ventil eingebaut werden.

5.10 Wartung der Lagerung am Elektromotor

Während der Kompressor in Gebrauch ist, müssen die Motorlager mit frischem viskosem Schmiermittel (für Wälzlager) gewartet werden. Die Schmiermittel müssen mit einer speziellen Injektionsspritze für viskose Schmiermittel in die Lagerdeckel eingebracht werden.

Sie können die Ölmenge mit der folgenden Formel berechnen. Überschmieren Sie die Lager nicht. Das überflüssige Öl wird sonst aus den Lagern in den laufenden Motor gequetscht.

$$D^2_{\text{motor shaft}} (\text{mm}) \times 0.005 = M_{\text{(lubricant mass)}} (\text{g}).$$

Überschmieren Sie die Lager nicht. Das überflüssige Öl wird sonst aus den Lagern in den laufenden Motor gequetscht.

6. Fehlerbehebung

6.1 Fehlerbeschreibung und Fehlerbehebung

Problem	Mögliche Fehler	Fehlerbehebung
Der Kompressor startet mit Verzögerung und die Motor-geschwindigkeit steigt sehr langsam	Der Riemen wurde überspannt	Tighten the belt with the rele-vant load
	Das Schmiermittel hat eine zu feste Konsistenz	Replace the oil
Es pfeift während des Betriebes	Der Schlupf des Riemens ist zu groß	Spannen Sie den Riemen nach (siehe auch 5.3 Überprüfung des Antriebsriemens)
Der Kompressor startet nicht und auf dem Display wird das Temperatursymbol angezeigt	Die Umgebungstemperatur diffe-rentiert sich von der geforderten Betriebstemperatur (unter+5 °C or über +40 °C)	Sorgen Sie für eine Anpassung der Umgebungstemperatur
Der Kompressor überhitzt	Die Luftzirkulation im Gebäude ist zu gering	Steigerung der Luftzirkulation Im Gebäude
	Ölstand zu tief	Öl nachfüllen
	Der Wärmeaustauscher ist verschmutzt	Blasen Sie den Wärmeaus-tauscher von unten nach oben mit Druckluft ab
Das Sicherheitsventil des Sepa-ratorkessels ist aktiviert	Der Separator ist verschmutzt	Austauschen des Separators
	Der Druck ist zu hoch, über 13 Bar	Setzen Sie den Betriebsdruck unter 13 bar

7. Lagerung und Entsorgung

7.1 Lagerbedingungen

Der Temperaturbereich zwischen -20°C und $+35^{\circ}\text{C}$ mit max. 85% relative Luftfeuchtigkeit sollte bei der Lagerung des Kompressors eingehalten werden.

7.2. Entsorgung des Öls und des Prozesskondensats

Benutztes Öl, verschmutzte Filter und Separatoren sollten in einem abgedichteten Container gelagert und von einem lokalen Recyclingunternehmen entsorgt werden. Achten Sie darauf, dass Öl nicht mit Regen- oder Grundwasser in berührung kommt.

Prozesskondensat beinhaltet Öl und Verunreinigungen. Die lokalen Umweltgesetze bestimmen den Grad der Kontamination des Prozesskondensats, das in die Kanalisation eingeleitet werden darf. Benutzen Sie Kondensatabscheider, um Öle und andere Verunreinigungen zu entfernen. Austauschelemente der Separatoren müssen genauso, wie mit Öl verunreinigte Reinigungstücher, professionell entsorgt werden.

© Comrag ®. Все права защищены.

Перепечатка текста и / или использование графики. допускается только с письменного разрешения Comrag®.

Производитель оставляет за собой право без уведомления потребителя вносить изменения в конструкцию изделий для улучшения их технологических и эксплуатационных параметров.

Вид изделий может незначительно отличаться от представленных на изображениях.

+7 (800) 777-83-75(звонок бесплатный)

<https://www.v-p-k.ru/>

FRD0510-270

- 1 Правила техники безопасности**
 - 1.1 Символы, использованные в инструкции
 - 1.2 Общие меры безопасности
 - 1.3 Меры безопасности при вводе в эксплуатацию
 - 1.4 Меры безопасности при эксплуатации
 - 1.5 Меры безопасности при обслуживании и ремонте
- 2 Устройство и принцип работы**
 - 2.1 Технические данные
 - 2.2 Назначение
 - 2.3 Принцип работы
 - 2.4 Принцип действия
 - 2.5 Система регулировки
 - 2.6 Электрическая схема
- 3 Ввод в эксплуатацию**
 - 3.1 Такелажные работы
 - 3.2 Габаритные размеры
 - 3.3 Подготовка помещения
 - 3.4 Подсоединения к линии сжатого воздуха
 - 3.5 Подключение к электропитанию
- 4 Эксплуатация**
 - 4.1 Панель управления
 - 4.2 Индикация ошибок
 - 4.3 Включение компрессора
 - 4.4 Выключение компрессора
- 5 Настройка и сервисное обслуживание**
 - 5.1 График технического обслуживания
 - 5.2 Проверка уровня масла
 - 5.3 Проверка приводных ремней
 - 5.4 Замена масла и масляного фильтра
 - 5.5 Замена воздушного фильтра
 - 5.6 Замена приводных ремней
 - 5.7 Замена сепарационного элемента
 - 5.8 Продувка радиатора охлаждения
 - 5.9 Проверка всасывающего клапана
 - 5.10 Обслуживание электродвигателя
- 6 Устранение неисправностей**
 - 6.1 Возможные неисправности
- 7 Хранение и утилизация**
 - 7.1 Хранение
 - 7.2 Утилизация

	Внимательно ознакомьтесь с технической документацией, инструкцией по эксплуатации и правилам техники безопасности. Большинство несчастных случаев при эксплуатации компрессорной техники происходит из-за несоблюдения правил безопасности. Не допускайте возникновения опасных ситуаций и соблюдайте соответствующие правила техники безопасности.
--	---

	Производитель оставляет за собой право вносить изменения в конструкцию с целью улучшения продукции без уведомления потребителя!
--	---

1. Правила техники безопасности

1.1 Символы, используемые в инструкции

	Опасно для жизни
	Предупреждение
	Внимание

1.2 Общие правила безопасности

	Вся ответственность за травмы или повреждения, полученные вследствие несоблюдения правил техники безопасности при установке, эксплуатации или обслуживанию, а также при несанкционированном использовании данного оборудования, возлагается на потребителя!
--	---

1. Оператор должен неукоснительно соблюдать правила техники безопасности, предусмотренные этими инструкциями и местным законодательством!
2. При сравнении данных правил безопасности с правилами местного законодательства, необходимо выбирать те, которые предъявляют более жёсткие требования!
3. К эксплуатации, техническому обслуживанию и ремонту оборудования Comprag допускается только обученный обслуживающий персонал с соответствующей степенью профессиональной подготовки!

4. Сжатый воздух непосредственно после компрессора может содержать масла и углекислый газ и не является пригодным для дыхания! Необходимо провести очистку сжатого воздуха до класса чистоты воздуха пригодного для дыхания, соответствующего нормам местного законодательства!

5. Сжатый воздух – источник энергии высокой степени опасности. Запрещается использование сжатого воздуха не по назначению! Не применяйте его для чистки одежды и обуви, не направляйте рукава сжатого воздуха в сторону людей и животных! При использовании воздуха для чистки оборудования, делайте это с особой осторожностью с применением защитных очков!

6. Все работы по техническому обслуживанию, ремонту, настройке, монтажу и т.п. должны производиться при выключенном оборудовании, с отключенным от сети кабелем питания, с отсоединенными от изделия рукавами сжатого воздуха, работы необходимо проводить в защитных очках! Убедитесь, что оборудования отключено от сети сжатого воздуха и не находится под давлением!

1.3 Меры безопасности при вводе в эксплуатацию



Вся ответственность за травмы или повреждения, полученные вследствие несоблюдения правил техники безопасности при установке, эксплуатации или обслуживанию, а также при несанкционированном использовании данного оборудования, возлагается на потребителя!

1. Разгрузка/погрузка оборудования должна проводиться только при помощи соответствующих приспособлений или подъёмных механизмов. Ручной подъём и перемещение запрещены. Не оставляйте оборудование в подвешенном состоянии. При разгрузочных работах используйте каску.

2. Разместите изделие в сухом и чистом помещении, исключающим прямого воздействия атмосферных осадков. Помещение должно хорошо проветриваться; при необходимости обеспечьте принудительной вентиляцией.

3. Запрещается использовать изношенные, поврежденные или испорченные рукава сжатого воздуха. Убедитесь, что рукава по номинальному диаметру и рабочему давлению соответствуют данному оборудованию. Не пережимайте, недеформируйте подводные рукава сжатого воздуха.

4. При использовании в системе нескольких компрессорных станций, каждый компрессор должен предполагать наличие ручного крана для возможности отсечения любого из них в случае возникновения внештатных ситуаций.

5. Не допускается наличие в атмосферном воздухе взрыво- и пожароопасных примесей, таких как: пары растворителей, углеродная пыль и т.п.

6. Обеспечьте свободный доступ к рукаву сжатого воздуха из компрессора.

7. Не перекрывайте перфорации на корпусе для обеспечения оборудования воздухом для охлаждения.

8. При использовании дистанционного управления, изделие должно чётко и ясно

сигнализировать об этом: **ВНИМАНИЕ:** Эта машина управляется дистанционно и может начать работу без предупреждения! Оператор, использующий дистанционный путь управления оборудованием, должен убедиться, что с изделием не проводится в этот момент никаких монтажных и прочих работ. После дистанционного выключения оборудования оператор должен убедиться, что оборудование действительно выключено!


9. Оборудование должно быть заземлено. Обеспечьте защиту от короткого замыкания. Пусковой рубильник должен находиться в непосредственной близости от оборудования и иметь защиту от несанкционированного запуска.

	Потребитель несет полную ответственность за соответствие условий эксплуатации электрического двигателя, установленного в оборудовании. Эксплуатация оборудования без защитной аппаратуры не допускается. Защитная аппаратура должна обеспечивать защиту электрического двигателя от коротких замыканий, перегрузок (систематической и пусковой) и неполно-фазных режимов. Установка защитной аппаратуры является обязанностью потребителя.
---	--

10. На оборудовании с автономной системой регулировки с функцией автоматического перезапуска рядом с панелью управления должна быть закреплена информационная табличка: **ВНИМАНИЕ:** Эта машина может начать работу без предупреждения!

11. Любые ёмкости и сосуды, работающие под давлением, должны быть оборудованы предохранительными клапанами! Запрещается любой несанкционированный монтаж, демонтаж или настройка прилагаемых предохранительных клапанов.

1.4 Меры безопасности при эксплуатации

	Вся ответственность за травмы или повреждения, полученные вследствие несоблюдения правил техники безопасности при установке, эксплуатации или обслуживанию, а также при несанкционированном использовании данного оборудования, возлагается на потребителя!
---	---

1. Убедитесь, что рукава по номинальному диаметру и рабочему давлению соответствуют данному оборудованию. Перед запуском проверьте крепление каждого соединения рукава. Не полностью закреплённый рукав может стать причиной серьёзных травм!

2. Никогда не включайте оборудование, если есть подозрение на наличие в атмосферном воздухе легковоспламеняющихся примесей!

3. Оператор, использующий дистанционный путь управления оборудованием, должен убедиться, что с изделием не проводится в этот момент никаких монтажных и прочих работ!

4. Оператору запрещается работать с оборудованием, если он утомлен, находится под воздействием алкоголя, наркотических средств или лекарственных препаратов, вызывающих замедленную реакцию организма.

5. Запрещается работа оборудования с демонтированными элементами корпуса. Двери или панели могут быть открыты на непродолжительные моменты времени для осмотра и плановых проверок. При это рекомендуется использовать оборудования для защиты органов слуха.



В некоторых типах оборудования открытие дверей или снятие панелей во время работы может привести к его перегреву.

6. Персонал, находящийся в условиях или помещении где уровень звукового давления достигает или превышает значение 90 дБ (А), должен использовать защитные наушники.

7. Если атмосферный воздух, используемый для охлаждения оборудования, применяется для обогрева помещений, примите меры для его фильтрации, чтобы можно было использовать его для дыхания.

8. Периодически проверяйте:

- наличие на своих местах предохранительных устройств и их крепление;
- исправность и герметичность всех рукавов и трубопроводов;
- отсутствие утечек;
- затяжки крепёжных элементов и элементов конструкции;
- все электрические кабели и контакты на исправность и безопасность;
- работоспособность предохранительных устройств, наличие грязи и т.п.
- все элементы конструкции находятся в рабочем состоянии, без износа.

1.5 Меры безопасности при обслуживании и ремонте



Вся ответственность за травмы или повреждения, полученные вследствие несоблюдения правил техники безопасности, при установке, эксплуатации или обслуживанию, а также при несанкционированном использовании данного оборудования, возлагается на потребителя!

1. Разрешается использовать только оригинальные запасные части и вспомогательные принадлежности. Использование запчастей других производителей может привести к непредсказуемым последствиям и, как результат, к несчастным случаям.

2. При проведении монтажных и ремонтных работ всегда используйте защитные очки!

3. Перед началом монтажных или прочих работ, убедитесь, что оборудование не нагружено давлением. Монтажные работы с оборудованием под давлением запрещены!

4. Все работы по техническому обслуживанию должны проводиться только тогда, когда температура элементов конструкции остынет.

5. Никогда не используйте для чистки элементов конструкции легковоспламеняющиеся растворители или тетрахлорид углерода. При протирке примите меры предосторожности против ядовитых паров чистящих жидкостей.

6. При проведении монтажных и ремонтных работ необходимо закрепить на панель управления информационную табличку для предотвращения от несанкционированного запуска. Например, «Не включать. Работают люди!»

7. При проведении ремонтных работ оборудование оснащенное дистанционным управлением должно быть отключено.
8. Содержите помещение, в котором установлено оборудование, в чистоте. Открытые входные и выходные отверстия во время монтажа закрывайте сухой ветошью или бумагой, во избежание попадания мусора в оборудование.
9. Запрещается проводить сварные и прочие подобные работы непосредственно вблизи данного оборудования, а также сосудов, работающих под давлением.
10. При малейшем подозрении на перегрев, воспламенение или другую внештатную ситуацию выключите оборудование. Незамедлительно обесточьте его. Не открывайте двери оборудования до тех пор, пока температура не упадет безопасной во избежание получения ожога или травмы.
11. Запрещается использование источников света с открытым пламенем для осмотра и ревизии оборудования.
12. Никогда не используйте едкие растворители, которые могут повредить материалы пневмосети.
13. После проведения монтажных и прочих работ убедитесь, что внутри не осталось инструмента, ветоши, запасных частей и т.п.
14. Особое внимание стоит уделять предохранительным клапанам. Тщательно следите за ними, вовремя удаляйте пыль и грязь. Ни при каких условиях они не должны утратить свой функционал. Помните, от их работы зависит Ваша безопасность!
15. Перед началом работы в штатном режиме после технического обслуживания или ремонта, проверьте, что рабочее давление, температура и прочие характеристики выставлены правильно. Убедитесь, что все управляющие и контролирующие устройства установлены и функционируют верно.
16. При замене фильтров, сепараторов и т.п., протрите сухой ветошью места их крепления от пыли, грязи, остатков масла.
17. Защитите двигатель, воздушный фильтр, электрические и регулирующие компоненты и т.п. от выпадения конденсата. Например, продуйте сухим воздухом.
18. Меры безопасности при работе с хладагентами:
 - Никогда не вдыхайте пары хладагента. Убедитесь, что рабочая зона надлежащим образом вентилируется; если необходимо, используйте респиратор.
 - Всегда носите специализированные перчатки. В случае контакта хладагента с кожей, промойте место контакта обильным количеством воды. Если хладагент попал на кожу через одежду, не пытайтесь её снять. Тщательно промойте одежду пресной водой, пока весь хладагент не смоется. Затем обратитесь за медицинской помощью.
19. Используйте защитные перчатки во время монтажных и ремонтных работ во избежание получения ожогов и травм. Например, при замене масла.

2. Технические данные

2.1 Технические данные

Артикул	Модель	Мощность (кВт)	Рабочее давление (bar)	Производительность (м ³ /мин)	Электропитание (фаза/В/Гц)	Щуп (дБ)	Объём ресивера (л)	Наличие осушителя RDX-Серия*	Разъёмное подсоединение	Кол-во масла* (л)
11410101	F0508	5,5	8	0,75	3/380/50	62	-	-	1/2"	5
11410102	F0510		10	0,65						
11410103	F0513		13	0,55						
11410104	FR0508-270		8	0,75			270	-		
11410106	FR0508-500		500							
11410105	FR0510-270		10	0,65			270	-		
11410107	FR0510-500		500							
11410108	FRD0508-270		8	0,75			270	X		
11410110	FRD0508-500		500							
11410109	FRD0510-270		270							
11410111	FRD0510-500		10	0,65			500			
11410201	F0708	7,5	8	1,1	3/380/50	65	-	-	1/2"	5
11410202	F0710		10	0,9						
11410203	F0713		13	0,6						
11410204	FR0708-270		8	1,1			270	-		
11410206	FR0708-500		500							
11410205	FR0710-270		10	0,9			270	-		
11410207	FR0710-500		500							
11410208	FRD0708-270		8	1,1			270	X		
11410210	FRD0708-500		500							
11410209	FRD0710-270		270							
11410211	FRD0710-500		10	0,9			500			
11410301	F1108	11	8	1,6	3/380/50	67	-	-	1/2"	8
11410302	F1110		10	1,4						
11410303	F1113		13	1,3						
11410304	FR1108-270		8	1,6			270	-		
11410306	FR1108-500		500							
11410305	FR1110-270		10	1,4			270	-		
11410307	FR1110-500		500							
11410308	FRD1108-270		8	1,6			270	X		
11410310	FRD1108-500		500							
11410309	FRD1110-270		270							
11410311	FRD1110-500		10	1,4			500	3/4"		

Артикул	Модель	Мощность (кВт)	Рабочее давление (bar)	Производительность (м ³ /мин)	Электропитание (фаза/В/Гц)	Шум (dB)	Объем ресивера (л)	Наличие осушителя RDX-Серия*	Разъёмное подсоединение	Кол-во масла* (л)					
11410401	F1508	15	8	2,3	3/380/50	69	-	-	1/2"	8					
11410402	F1510		10	1,9											
11410403	F1513		13	1,5											
11410404	FR1508-270		8	2,3			270	-							
11410406	FR1508-500						500								
11410405	FR1510-270		10	1,9			270								
11410407	FR1510-500						500								
11410408	FRD1508-270		8	2,3			270		X		3/4"				
11410410	FRD1508-500						500								
11410409	FRD1510-270		10	1,9			270								
11410411	FRD1510-500						500								
11410501	F1808	18,5	8	3,1	3/380/50	70	-	-		3/4"		8			
11410502	F1810		10	2,5											
11410503	F1813		13	2,2											
11410504	FR1808-500		8	3,1			500	-							
11410505	FR1810-500								10		2,5				
11410506	FRD1808-500		8	3,1					X		1"				
11410507	FRD1810-500									10			2,5		
11410601	F2208		22	8						3,6			-	-	3/4"
11410602	F2210			10						3					
11410603	F2213			13			2,6								
11410604	FR2208-500			8			3,6	500		-					
11410605	FR2210-500	10			3										
11410606	FRD2208-500	8		3,6	X	1"									
11410607	FRD2210-500						10		3						

* Соответствует стандартам DIN 51506 VDL, ISO 6743/3A. Класс вязкости по ISO VG 46.

2.2 Назначение

Винтовые маслозаполненные компрессоры Comprac F-серии предназначены для бесперебойного и экономичного производства сжатого воздуха на промышленных предприятиях. В компрессорах F-серии для передачи энергии использован ременной привод от электродвигателя. Для управления параметрами компрессор оборудован контроллером t-LOG с LCD дисплеем, включающим в себя кнопки старт/стоп и экстренного останова.

2.3 Принцип работы

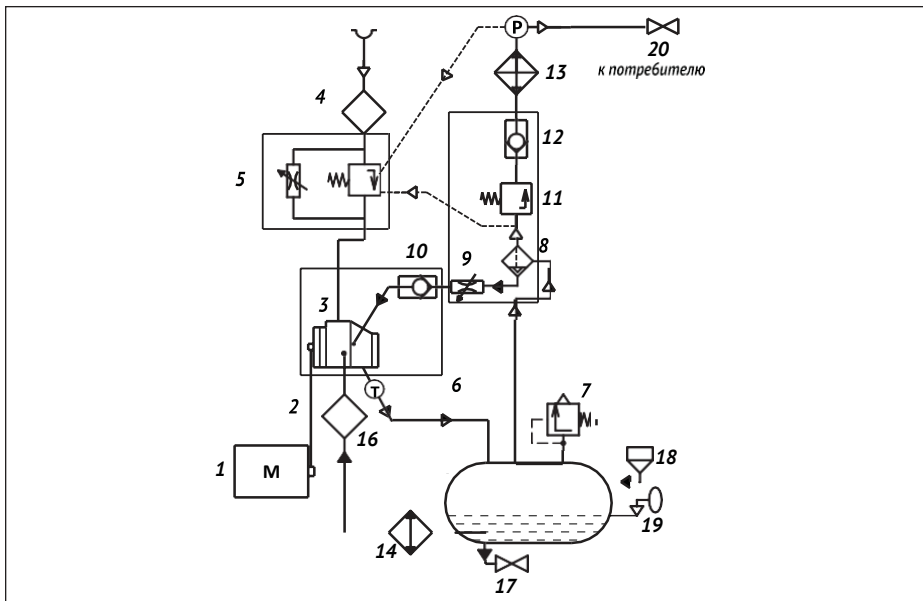


Рис. 2.3.1 Схема пневматическая F 05...F22.

	Воздух		Датчик температуры
	Масло		Датчик давления
	Воздушно-масляная смесь		Трубопровод управления

Компоненты

1	Электродвигатель	11	Клапан минимального давления
2	Ременная передача	12	Клапан обратный
3	Блок винтовой	13	Радиатор, секция воздуха
4	Фильтр воздушный	14	Радиатор, секция масла
5	Клапан всасывающий	16	Фильтр масляный
6	Бак-сепаратор	17	Кран
7	Клапан предохранительный	18	Пробка заливная
8	Сепарационный элемент	19	Смотровой глазок уровня масла
9	Дроссель	20	Кран, выход воздуха
10	Клапан обратный		

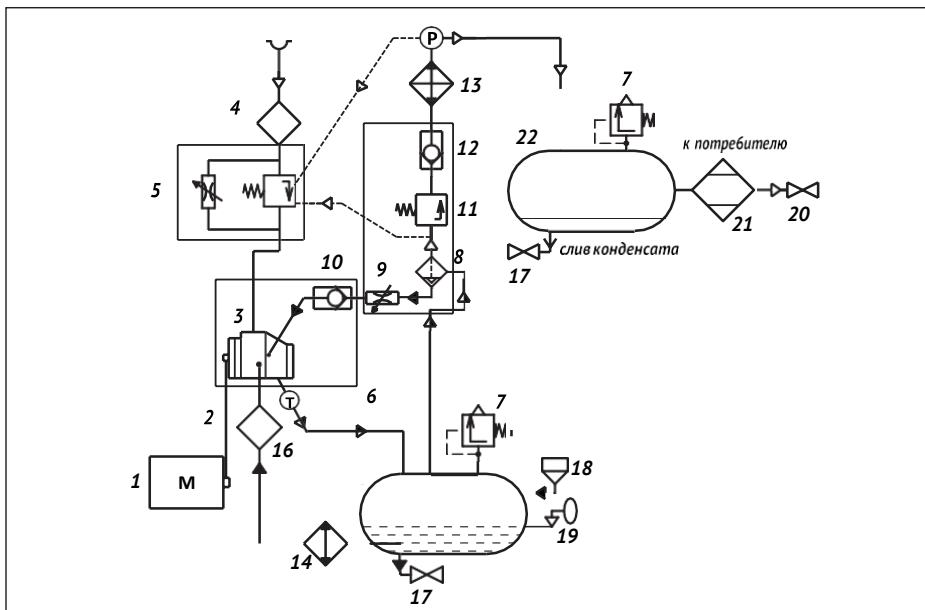


Рис. 2.3.2 Схема пневматическая FR 05..-FR22.., FRD 07..-FRD22.

	Воздух		Датчик температуры
	Масло		Датчик давления
	Воздушно-масляная смесь		Трубопровод управления

Компоненты

1	Электродвигатель	12	Клапан обратный
2	Ременная передача	13	Радиатор, секция воздуха
3	Блок винтовой	14	Радиатор, секция масла
4	Фильтр воздушный	16	Фильтр масляный
5	Клапан всасывающий	17	Кран
6	Бак-сепаратор	18	Пробка заливная
7	Клапан предохранительный	19	Смотровой глазок уровня масла
8	Сепарационный элемент	20	Кран, выход воздуха
9	Дроссель	21	Рефрижераторный осушитель (FRD-версия)
10	Клапан обратный	22	Ресивер
11	Клапан минимального давления		

2.4 Принцип действия (Смотри рис. 2.3.1 и 2.3.2)

Воздух: Очищенный при помощи воздушного фильтра (4) воздух, проходя через всасывающий клапан (5), попадает в блок винтовой (3). Одновременно с поступающим для охлаждения и смазки маслом, воздух сжимается до установленного на контроллере требуемого давления. Далее воздушно-масляная смесь попадает в бак-сепаратор (6), где большая часть масла сепарируется. Остатки масла отфильтровывает сепарационный элемент (8). Затем чистый воздух охлаждается, проходя через радиатор (13), и поступает потребителю.

Масло: Масло, отделённое от воздуха в баке-сепараторе (6), очищенное масляным фильтром (16), поступает обратно в винтовой блок (6) для охлаждения и смазки подшипников.

Система охлаждения: Система охлаждения – это комбинированный радиатор, состоящий из воздушной (13) и масляной (14) частей. Обдув происходит вентилятором, закреплённым в нижней части компрессора.

2.5 Система регулировки

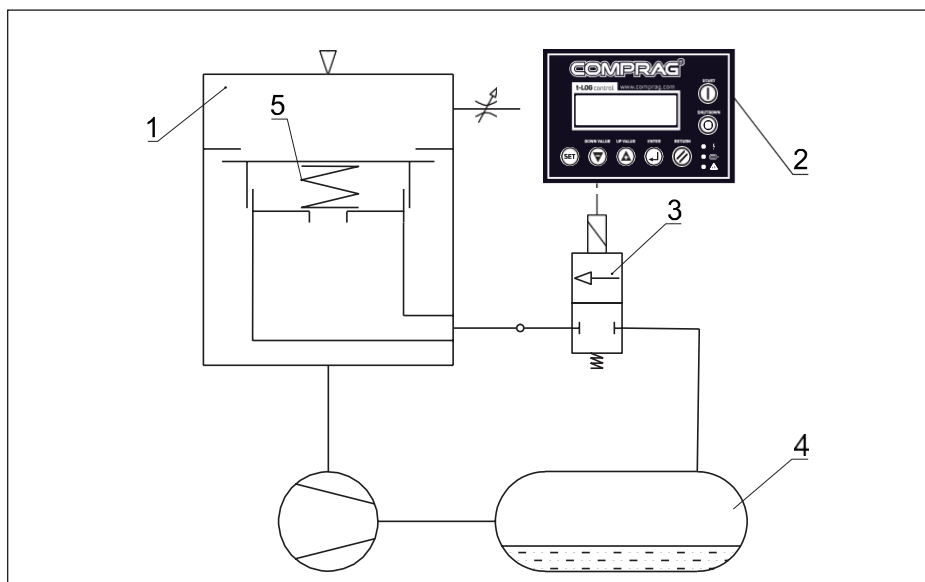


Рис. 2.5 Система регулировки

Компрессор оборудован контроллером t-Log, который в автоматическом режиме отслеживает расход потребителем воздуха.

Разгрузка: Когда расход воздуха потребителем меньше, чем производительность компрессора, давление в пневмосети достигает установленного максимума. Контроллер

(2) подает сигнал на электромагнитный клапан (3), клапан открывается, давлением воздуха из бака сепаратора (4) закрывает заслонку (5) всасывающего клапана (1), одновременно происходит разгрузка пневмосистемы компрессора через дроссель.

Загрузка: Сувеличением потребления воздуха, давлениевпневмосетипадает до минимального установ-ленного предела, контроллер (2) перестает подачу сигнала на электромагнитный клапан (3), прекращается подача давления на заслонку (5). Всасывание воздуха возобновляется. Компрессор переходит в режим 100% нагрузки.

2.6 Схема электрическая принципиальная

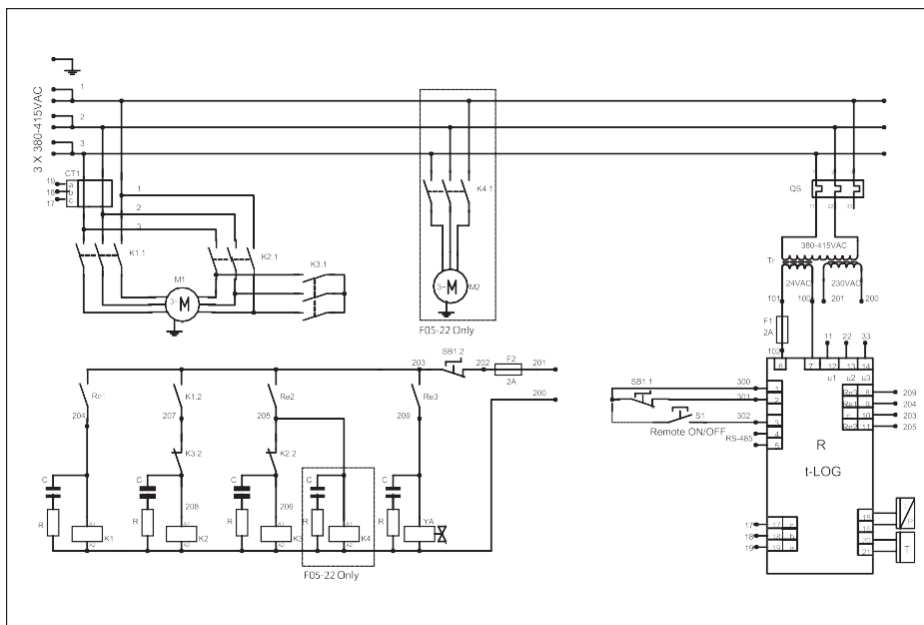


Рис. 2.6.1. Схема электрическая F05.. - F22..., FR05.. - FR22..., FRD05.. - FRD22.*

*Для компрессоров серии RDX с рефрижераторным осушителем смотрите документацию на сам осушитель..

Основные компоненты

K1, K2, K3, K4	Контактор	YA	Клапан электромагнитный
M1	Электродвигатель	R	Блок управления
T	Датчик температуры	I/P	Датчик давления
SB	Кнопка экстренной остановки	CT1	Трансформатор тока
F1, F2	Предохранитель	TR	Трансформатор
M2	Электродвигатель вентилятора	QS	Выключатель автоматический

3. Ввод в эксплуатацию

3.1 Такелажные работы



Присутствие на изделии вмятин, сколов и прочих повреждений может привести к прекращению действия гарантии.

Проверьте визуально отсутствие повреждения упаковки, если повреждений нет, поставьте блок рядом с выбранным местом монтажа и распакуйте. Перемещение оборудования должно проводиться только при помощи соответствующих приспособлений или подъёмных механизмов. Ручной подъём и перемещение запрещены. Даже в упаковке, держите оборудование в защищенном от воздействия погодных явлений месте.



Рис. 3.1.1. Схема для такелажных работ F05.. – F22.

Модель	A, мм	B, мм	C, мм	D, мм	G, мм
F05 - 07..	100	383	185	92	900
F11..	130			202	
F15..	135			302	1000
F18..					
F22..					



Рис. 3.1.2. Схема для такелажных работ FR05..-FR22, FRD05..-FRD22.

Модель	A, мм	B, мм	C, мм	D, мм	G, мм
FR05../ FRD05..	100	383	185	92	900
FR07../ FRD07..				202	
FR11../ FRD11..	130			302	1000
FR15../ FRD15..					
FR18../ FRD18..	135				
FR22../ FRD22..					

3.2 Габаритные размеры



Рис. 3.2.1. Размеры компрессора F05.. - F22.

Модель	Размеры компрессора			
	Длина L, мм	Ширина D, мм	Высота H, мм	Масса, кг
F05	973	724	964	280
F07				302
F11	1003	800	1123	315
F15				335
F18	1083	884	1123	425
F22				445
	Размеры в упаковке			
F05	1075	825	1115	310
F07				332
F11	1100	900	1250	347
F15				367
F18	1200	1000	1250	470
F22				490



Рис. 3.2.1. Размеры компрессора FR05..-FR22, FRD05..-FRD22.

Модель	Габаритные размеры без упаковки				Габаритные размеры в упаковке			
	Длина L, мм	Ширина D, мм	Высота H, мм	Масса, кг	Длина L, мм	Ширина D, мм	Высота H, мм	Масса, кг
FR05-270	1500	724	1472	400	1700	825	1630	445
FRD05-270	1546			435				480
FR05-500	1855	724	1586	445	2050	880	1780	498
FRD05-500	1855			480				538
FR07-270	1500	724	1472	422	1700	825	1630	467
FRD07-270	1546			457				502
FR07-500	1855	724	1586	467	2050	880	1780	520
FRD07-500	1855			495				553
FR11-270	1500	800	1631	435	1700	900	1800	482
FRD11-270	1558			482				532
FR11-500	1855	800	1740	525	2050	950	1930	578
FRD11-500	1855			557				605
FR15-270	1500	800	1631	455	1700	900	1800	502
FRD15-270	1558			492				542
FR15-500	1855	800	1740	535	2050	950	1930	588
FRD15-500	1855			577				625
FR18-500	1855	884	1740	580	2050	1000	1930	630
FRD18-500	1905			645				695
FR-22-500	1855	884	1740	600	2050	1000	1930	650
FRD-22-500	1905			665				715

3.3 Подготовка помещения

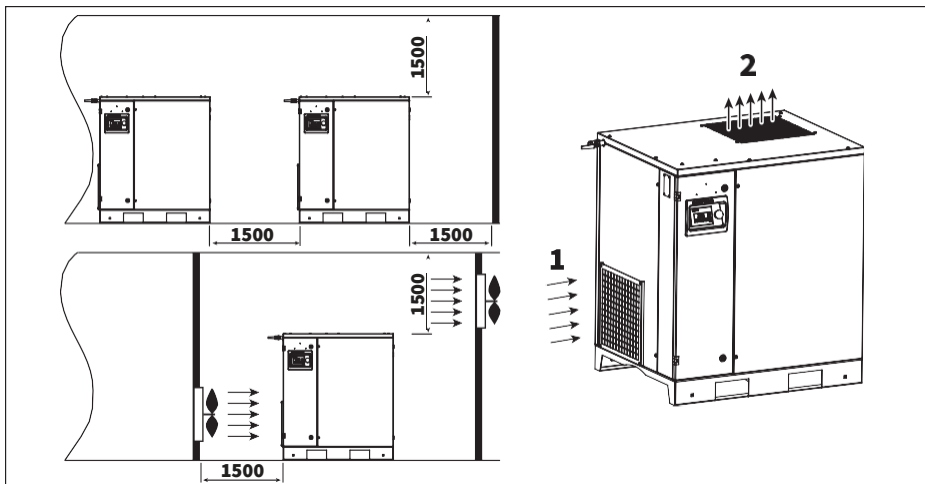


Рис. 3.3.1. Схема установки компрессора F05.. – F22.

1. Забор воздуха компрессором
2. Выход воздуха из компрессора

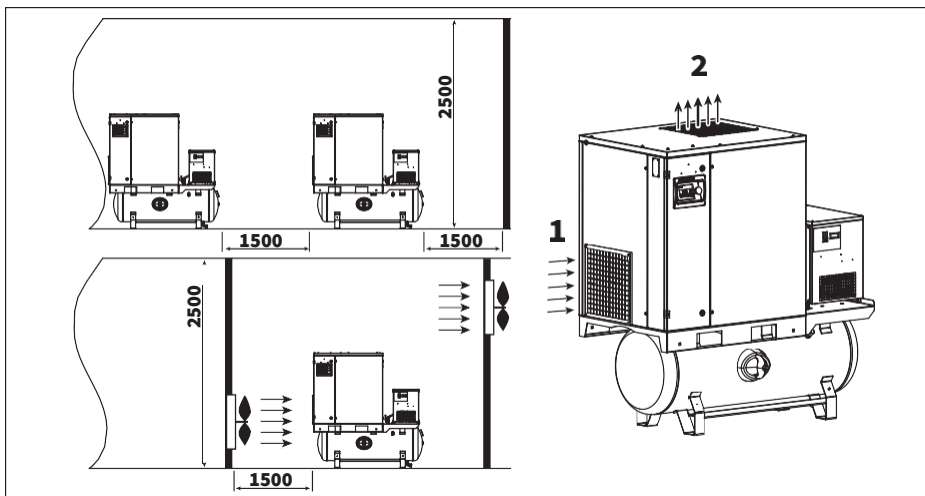


Рис. 3.3.2. Схема установки компрессора FR05..-FR22, FRD05..-FRD22.

1. Забор воздуха компрессором
2. Выход воздуха из компрессора

Минимальные требования для установки:

- Выберите чистое не запылённое и сухое помещение, защищённое от атмосферных осадков.
- В помещении пол должен быть ровный, горизонтальный и выдерживать вес компрессора. Если компрессор не закреплён к полу, угол отклонения пола не должен превышать 3°. В случае крепления, максимальное отклонения должно составлять 7°.
- Минимальная температура окружающей среды 0 °С
- Максимальная температура окружающей среды +40 °С.
- В помещении должен быть предусмотрен приток свежего воздуха в объёме, соответствующем двукратной производительности компрессора.
- В помещении, оборудованном приточно-вытяжной механической вентиляцией, объем воздуха вытяжной вентиляции не должен превышать 40% объема воздуха приточной вентиляции.



Размещение компрессора в ненадлежащих окружающих условиях может привести к потере его работоспособности вследствие сверхвысоких нагрузок. Поломки компрессора, вызванные неправильной эксплуатацией, не рассматриваются как гарантийные..

Не блокируйте, даже частично, вентиляционную перфорацию компрессора и осушителя. Избегайте возможной рециркуляции воздуха от других источников тепла.

3.4 Подсоединение к линии сжатого воздуха

Все работы по подключению компрессорного оборудования должны проводиться при отсутствии давления в пневмосети. Операции по подключению к линии сжатого воздуха должны производиться только квалифицированным специалистом.

Размеры и рабочие характеристики рукавов и арматуры должны соответствовать количеству и давлению подаваемого воздуха из компрессора. Занижение может привести к разгерметизации системы и стать причиной травм оператора и повреждений оборудования.

При использовании дополнительных ресиверов, подбирайте их в зависимости от потребления сжатого воздуха и производительности компрессора.

3.5 Подключение к электропитанию

	Местные правила остаются применимы, если они более строгие, чем приведенные ниже значения. Возможно придется использовать кабели с большим сечением, чем те, которые указаны.
---	---

F05..	F07..	F11..	F15..	F18..	F22..
Материал кабеля медь. Сечение жилы кабеля(мм ²)					
4	6	6	6	10	16
Предохранитель(плавкая вставка), номинал аМ(А)					
25	35	35	50	63	63

Приведенное сечение кабеля применимо при следующих условиях: макс. длина кабеля 25м, макс. значение температуры окружающей среды 40С, кабель в свободном воздухе или в канатной дорожке, падение напряжения не должно превышать 5% от номинального значения. Использовать кабели изготовленные по ГОСТ 22483-2012(IEC 60228:2004). Компрессор подключен к электропитанию через выключатель с предохранителем и заземлен.

	Компрессор должен быть заземлён и защищён то короткого замыкания. Также примите меры для защиты от колебаний напряжения.
---	--

Силовой кабель должен быть заведён внутрь компрессора.



Рис. 3.5.1. Подвод силового кабеля

Снимите левую панель и пропустите кабель сквозь специальное отверстие (1) в основании компрессора. Затем пропустите его через пластиковый ввод (2).

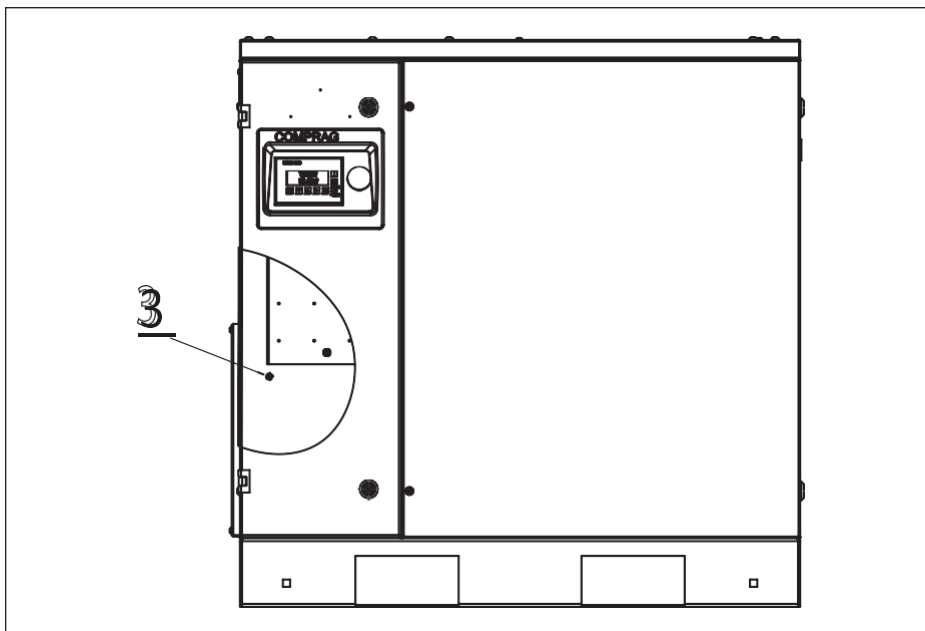


Рис. 3.5.2. Подключение к электропитанию

Подключите силовой кабель согласно электрической схеме. Смотри пункт 2.6. Для заземления используйте болт позиции 3.

4. Эксплуатация



К эксплуатации компрессора допускается только квалифицированный персонал

4.1 Панель управления

Для управления параметрами компрессоры F5,5 – F-22 оборудованы контроллером t-LOG, который в автоматическом режиме отслеживает расход потребителем воздуха. При падении давления в пневмосети ниже установленного уровня, контроллер даёт команду на запуск компрессора. При достижении максимального установленного уровня, компрессор переходит в режим ожидания (холостой ход), время которого устанавливается на контроллере.

Также в контроллере предусмотрена долговременная память для хранения оперативных данных: времени наработки, значений счетчиков, состояний системы и т.д.

Панель управления

В целях изменения программируемых параметров и осуществления контроля за работой компрессора, пульт управления контроллера снабжён:

- LEDs дисплеем с подсветкой, отображающим основные параметры работы компрессора;
- дисплей с указанием условий эксплуатации, время ТО, неисправностей;
- кнопки для программирования параметров компрессора;
- кнопки ручного пуска/останова компрессора;
- кнопка экстренного останова (устанавливается отдельно).

Общий вид контроллера t-Log

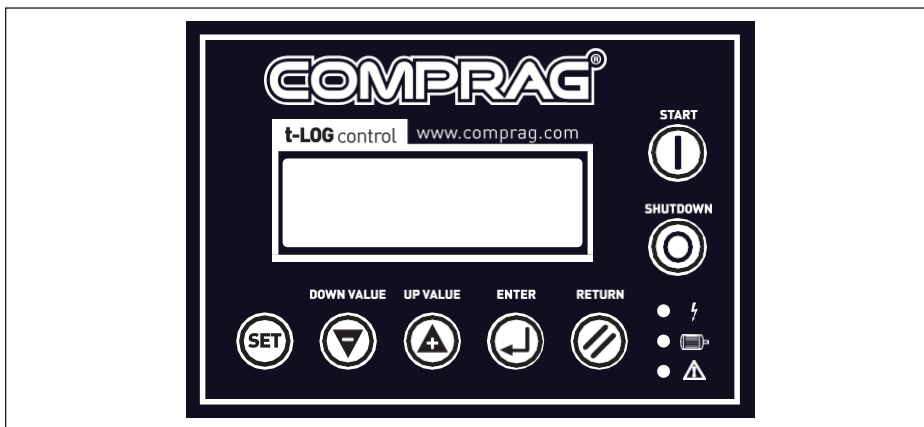


Рис. 4.1.1. Панель управления

	Пуск компрессора		Вверх
	Остановка компрессора		Вниз
	Возврат в основное меню		Ввод
	Кнопка установки. Кнопка загрузки / разгрузки		

Инструкция по дополнительной индикации.

	Индикатор питания (красный): индикатор загорается при включении контроллера. Напряжение подано.
	Индикатор работы (зелёный): индикатор загорается, когда двигатель работает. Компрессор под нагрузкой.
	Индикатор тревоги (красный): индикатор мигает при тревоге; индикатор горит, когда компрессор остановлен по сигналу «авария» (сопровождается звуковым сигналом); Индикатор выключен, когда ошибка устранена. Для сброса ошибки нажмите и удерживайте кнопку возврата в меню  .

Информационный LED дисплей.

СОМРАГ ВОЗДУШНЫЙ КОМПРЕССОР	После включения питания экран дисплея отобразит следующее
Через 5 секунд высветятся основные параметры компрессора:	
ТЕМП: -°C СОСТ: СТОП СО1	Текущее значение температуры воздушно-маслянной смеси на выходе из винтового блока
Нажмите 	
ДАВЛ: --bar СОСТ: СТОП СО1	Текущее значение давления в линии сжатого воздуха в пневмосети.
Нажмите  для входа в меню выбора:	
ПАРАМ. РАБОТЫ	Вход в меню ПАРАМ. РАБОТЫ
ПАРАМ. ЭКСПЛУАТ	вход в меню ПАРАМ. ЭКСПЛУАТ (редактирование через пароль)
ПАРАМ. ЗАВОДА	вход в меню ПАРАМ. ЭКСПЛУАТ (вход через пароль)
ПАРАМ. КАЛИБРОВ	вход в меню ПАРАМ. ЭКСПЛУАТ (вход через пароль)

Рабочие параметры

Данные параметры отражаются только для просмотра текущих настроек изделия.

ПАРАМ. РАБОТЫ	Вход в меню ПАРАМ. РАБОТЫ
ДВИГ. М1 А-0.0	Текущее значение тока по фазам
В-0.0 С-0.0	Текущее значение тока по фазам

ОБЩЕЕ ВРЕМЯ РАБ	Общее время наработки
—h—m	Текущее значение

ВРЕМЯ НАГРУЗКИ	Общее время работы под нагрузкой
—h—m	Текущее значение

ТЕК. ВРЕМЯ РАБ	Текущее время работы от последнего включения
—h—m	Текущее значение

ТЕК. ВРЕМЯ НАГР	Текущее время работы под нагрузкой
—h—m	Текущее значение

МАСЛ. ФИЛЬТР	Время в эксплуатации
0110h	Текущее значение

СЕПАР. ЭЛЕМЕНТ	Время в эксплуатации
0110h	Текущее значение

ВОЗД. ФИЛЬТР	Время в эксплуатации
0110h	Текущее значение

МАСЛО ЗАМЕНА	Время в эксплуатации
0110h	Текущее значение

СМАЗКА МОТОР М1	Время в эксплуатации
0110h	Текущее значение

РЕМНИ ЗАМЕНА	Время в эксплуатации
0110h	Текущее значение

АВАР.1: 0001104	Запись 1 журнала аварийных отключений: время отключения
НЕИСП ДАТ. ТЕМП	Описание аварии

АВАР.2: 0001104	Запись 2 журнала аварийных отключений: время отключения
НЕИСП ДАТ. ДАВЛ	Описание аварии

АВАР.3: 0001104	Запись 3 журнала аварийных отключений: время отключения
ЧЕРЕДОВАНИЕ ФАЗ	Описание аварии

АВАР.4: 0001104	Запись 4 журнала аварийных отключений: время отключения
НЕИСП ДАТ. ДАВЛ	Описание аварии

АВАР.5: 0001104	Запись 5 журнала аварийных отключений: время отключения*
НЕИСП ДАТ. ДАВЛ	Описание аварии

ДАТА ВЫПУСКА	Дата изготовления компрессора
9999-99-99	Установленное значение

ЗАВОДСКОЙ НОМЕР	Заводской номер компрессора
99999999	Установленное значение

СОСТ СОЕДИН	Не используется
RX- TX-	

Если в текущем меню не производится никаких действий 60 секунд, контроллер автоматически вернется в главное меню.

Параметры эксплуатации

Данный пункт меню разрешён для просмотра, но защищён паролем от изменений. Для изменений в настройках компрессора обратитесь к Вашему региональному дилеру. (Ниже указаны установленные значения для компрессора с макс. рабочим давлением 8 бар.)

ТЕМП ВКЛ. ВЕНТ	Температура включение вентилятора
0090° C	Установленное значение

ТЕМП ВЫКЛ. ВЕНТ	Температура включение вентилятора
0060° C	Установленное значение

ДАВЛ. НАГРУЗКИ	Давление нагрузки
5.2bar	Установленное значение

ДАВЛ. РАЗГРУЗКИ	Давление разгрузки
8.0bar	Установленное значение

ВРЕМЯ ХОЛ. ХОДА	Время холостого хода до отключения
0300s	Установленное значение

РЕЖИМ ВКЛ	Локальное или сетевое подключение
МЕСТ ДОСТУП	Установленный режим

ТИП НАГРУЗКИ	Метод перехода компрессора в режим нагрузки, ручной/автоматический
АВТО	Установленный значение

ТИП СОЕДИНЕНИЯ	Разрешение на сетевое подключение, запрет/разрешение
ЗАПРЕТ	Установленное значение

СЕТЕВОЙ АДРЕС	Сетевой адрес
0001	Установленное значение

РОЛЬ В ГРУППЕ	Сетевое подключение. Работа в группе, ведущий/ведомый
ВЕДУЩИЙ	Установленное значение

ВРЕМЯ ПЕРЕКЛ	Сетевое подключение. Работа в группе, время переключения компрессоров
0099h	Установленное значение

КОЛ-ВО В ГРУППЕ	Сетевое подключение. Работа в группе, количество компрессоров
0016	Установленное значение

ДАВЛ НАГР ГРУП	Сетевое подключение. Работа в группе, давление нагрузки
6.0bar	Установленное значение

ДАВЛ РАЗГР ГРУП	Сетевое подключение. Работа в группе, давление разгрузки
8.0bar	Установленное значение

ЗАД ПЕРЕКА ГРУП	Сетевое подключение. Работа в группе
0200s	Установленное значение

СБР МАСЛ ФИЛЬТР	Обнуление времени работы масляного фильтра
0110h	Текущее значение

СБР СЕПАРАТОРА	Обнуление времени работы масляного сепаратора
0110h	Текущее значение

СБР ВОЗД ФИЛЬТР	Обнуление времени работы воздушного фильтра
0110h	Текущее значение

СБР МАСЛО ЗАМЕН	Обнуление времени работы компрессорного масла
0110h	Текущее значение

СБР СМАЗКА M1	Обнуление времени смазки подшипников электродвигателя
0110h	Текущее значение (производителем не регламентируется)

СБР РЕМНИ ЗАМЕН	Обнуление времени замены приводных ремней
0110h	Текущее значение (производителем не регламентируется)

УСТ МАСЛ ФИЛЬТР	Установка времени замены масляного фильтра
0500h	Установленное значение (смотри пункт 5.1)

УСТ СЕПАРАТОРА	Установка времени замены масляного сепаратора
2000h	Установленное значение

УСТ ВОЗД ФИЛЬТР	Установка времени замены воздушного фильтра
2000h	Установленное значение

УСТ МАСЛО ЗАМЕН	Установка времени замены масла
0500h	Установленное значение (смотри пункт 5.1)

УСТ СМАЗКИ M1	Установка времени смазки подшипников электродвигателя
0000h	Установленное значение (производителем не регламентируется)

УСТ РЕМНИ ЗАМЕН	Установка времени замены приводных ремней
0000h	Установленное значение (производителем не регламентируется)

ЯЗЫК ВЫБОР	Выбор языка
РУССКИЙ	Установленное значение

ПАРОЛЬ ПОЛЬЗОВ	****
****	Не изменять

Параметры заводских установок.

Данный пункт меню защищён паролем от просмотра и изменений.

Параметры калибровки.

Данный пункт меню защищён паролем от просмотра и изменений.

4.2 Индикация ошибок

Сообщения о неисправностях, в результате которых компрессор немедленно выключается, либо изначально не запускается. При этом загорается индикатор ● . Все ошибки при аварийном выключении после устранения неисправности необходимо сбросить, обесточив компрессор.

	Дальнейшая работа без устранения причины возникновения аварийного сообщения запрещена!
---	--

ТЕМП: 99 °С	Компрессор не запускается
АВАР ОСТАН. С01	Нажата кнопка аварийного останова

ТЕМП: 00 °С	Компрессор не запускается. Температура окружающей среды ниже 0 °С
НИЗКАЯ ТЕМП С01	

СТОП: ПЕРЕГРУЗ	Авария по перегрузке гл. двигателя
ТОК М1 104.8А	

АВАР:	Авария по причине чередования фаз
ЧЕРЕДОВАНИЕ ФАЗ	

АВАР:	По фазам отклонение больше допустимого
ДИСБАЛ. ФАЗ	


АВАР:	Возможно пропадание одной из фаз
ПРОПАД. ФАЗЫ С	

АВАР: НЕИСПРАВН	Неисправность датчика температуры
ДАТЧ. ТЕМП	

АВАР: НЕИСПРАВН	Неисправность датчика давления
ДАТЧ. ДАВЛЕНИЯ	

АВАР: ВЫСОКАЯ	Превышен максимальный предел температуры
ТЕМП 112 °С	

АВАР: ВЫСОКОЕ	Превышен максимальный предел по давлению
ДАВЛ. 8.4bar	

	Дальнейшая работа без устранения причины возникновения аварийного сообщения запрещена!
---	--

Сигналы оповещения о неисправности или необходимости проведения сервисного обслуживания, не влекущие за собой отключение компрессора.

ТРЕВ:	Повышенная температура
ВЫС. ТЕМП 105 °С	

ПРЕДУПР: 0110h	Приближается время замены масляного фильтра
СКОРО МАСЛ. ФИЛ	

ПРЕДУПР: 0110h	Приближается время замены воздушного фильтра
СКОРО ВОЗД. ФИЛ	


ПРЕДУПР: 0110h	Приближается время замены масла
СКОРО ЗАМ МАСЛА	

ПРЕДУПР: 0110h	Приближается время замены масляного сепаратора
СКОРО СЕПАРАТОР	

4.3 Пуск компрессора



Каждый раз перед запуском компрессора проверьте уровень масла в баке-сепараторе. При низком уровне – долейте масло

Подайте напряжение. Откройте выпускной шаровый кран. Нажмите кнопку "Пуск"  на панели управления контроллера. Компрессор запустится. Контроллер будет автоматически управлять работой компрессора по заводским установкам.

4.4 Выключение компрессора



Для экстренной остановки компрессора нажмите кнопку аварийного отключения на панели управления контроллера. После устранения неисправности разблокируйте кнопку, вытянув её на себя. После аварийного отключения, компрессор может быть повторно запущен не раньше, чем через 10 минут.

Нажмите кнопку "Остановка"  на панели управления контроллера. Компрессор выключится. Закройте выпускной шаровый кран. Отключите от сети питания.

5. Настройка и сервисное обслуживание

5.1 График технического обслуживания

	Ежедневно	Ежемесячно	Ежегодно	Интервал в моточасах			
				Т0-1	Т0-2	Т0-3	Т0-2
				500	2000	4000	6000
Уровень масла	Проверка/ долить						
Масло компрессора				Замена	Замена	Замена	Замена
Фильтр воздушный		Очистка			Замена	Замена	Замена
Фильтр масляный				Замена	Замена	Замена	Замена
Сепарационный элемент						Замена	
Теплообменник		Очистка					
Подшипники электродвигателя			Смазка				
Всасывающий клапан			Проверка				
Клапан мин. давления			Проверка				
Клапан предохранительный			Проверка				
Приводные ремни		Проверка					

После 6000 часов работы, плановое техническое обслуживание должно включать в себя чередование Т0-2 или Т0-3 через каждые 2000 моточасов или один раз в год, в зависимости от того, что наступит быстрее. Проведение ежедневного, еженедельного, ежемесячного и ежегодного контроля не отменяется проведённым техническим обслуживанием.

5.2 Проверка уровня масла

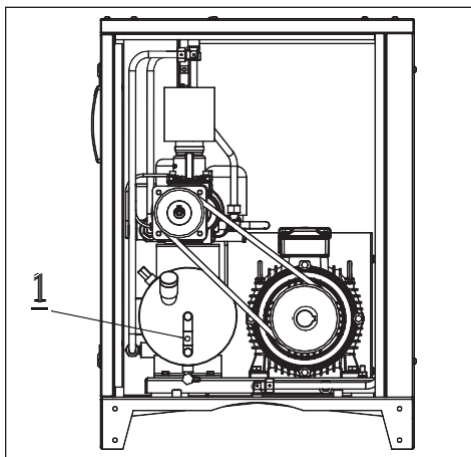


Рис. 5.2. Проверка уровня масла

Проверка уровня масла является ежедневной процедурой. Перед проверкой выключите компрессор. Снимите правую крышку.

Уровень масла проверяется через смотровой глазок (1), расположенный непосредственно на баке-сепараторе. Масло должно визуально просматриваться в глазке. Если уровень масла ниже и его не видно, долить до середины глазка.

Запрещается использовать при проверке уровня масла источники света с открытым пламенем.

5.3 Проверка приводных ремней



Рис. 5.3. Проверка приводных ремней

Проверка ремней является ежемесячной процедурой. Перед проверкой выключите компрессор и отключите его от питания.

Снимите правую панель. Визуально продиагностируйте ремни на следы износа, трещин, деформаций и т.п.

При наличии представленных выше дефектов – замените ремни (смотрите пункт 5.6.). Натяжение ремней. Для выставления натяжения, используйте спец. оборудование.

Модель	Рабочее давление, Бар	Натяжения, Н
F5.5, FR5, FRD5.5, F07, FR07, FRD07	8	300
	10	300
	13	400
F11, FR11, FRD11	8	250
	10	250
	13	300
F15, FR15, FRD15	8	250
	10	300
	13	300
F18, FR18, FRD18	8	250
	10	300
	13	300
F22, FR22, FRD22	8	400
	10	450
	13	500

5.4 Замена масла и масляного фильтра



Рис. 5.4.1. Замена масла

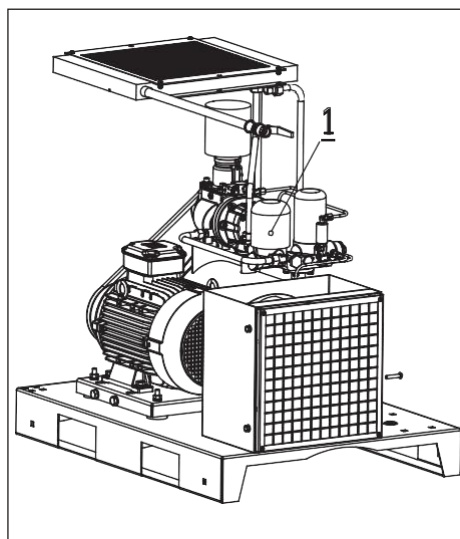


Рис. 5.4.2. Замена масляного фильтра

Перед заменой масла выключите компрессор и отключите его от питания.

Снимите правую панель и открутите пробку заливной горловины (2) на один оборот, чтобы стравить оставшееся давление, если таковое присутствует. Открутите пробку (2) и пробку сливного крана (1). Откройте сливной кран и слейте использованное масло в специально подготовленный резервуар подходящего объёма. Залейте через горловину новое масло до середины смотрового глазка. Установите обратно пробки (1) и (2).

Снимите правую панель. Аккуратно открутите масляный фильтр (1) (допускается использовать специальный ключ-съёмник) и слейте использованное масло из фильтра в специально подготовленный резервуар. Обязательно смажьте свежим маслом уплотняющую прокладку на новом фильтре. Прикрутите фильтр на место. Прикручивайте фильтр только вручную.

Запустите компрессор и дайте проработать в холостом режиме несколько минут, пока свежее масло не разойдётся по системе. Выключите компрессор и проверьте уровень масла. Масло должно быть по середине смотрового глазка. При необходимости – долить.

5.5 Замена воздушного фильтра



Перед заменой фильтра выключите компрессор и отключите его от питания.

Снимите правую панель. Воздушный фильтр (1) крепится на всасывающем клапане. Открутите винт крепёжного хомута (2). Снимите старый фильтр. Установите на его место новый фильтр. Затяните хомут.

Рис. 5.5. Замена воздушного фильтра

5.6 Замена приводных ремней

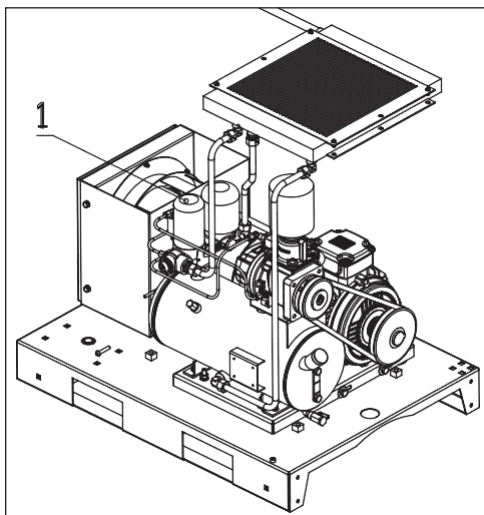


Перед заменой приводных ремней выключите компрессор и отключите его от питания.

Снимите правую панель. Ослабьте 2 винта (1). Выкручивайте 2 болта (2) до тех пор, пока ремни не провиснут. Снимите старые ремни и замените их на новые. Проведите описанные выше операции в обратной последовательности. Натяните ремни до значений, указанных в пункте 5.3. Дайте проработать компрессору не менее 4 часов и проверьте натяжку. При необходимости – подтянуть.

Рис. 5.6. Замена приводных ремней

5.7 Замена сепарационного элемента



Перед заменой сепарационного элемента выключите компрессор и отключите его от питания.

Снимите правую панель. Аккуратно открутите сепарационный элемент (1) (допускается использовать специальный ключ-съёмник). Обязательно смажьте свежим маслом уплотняющую прокладку на новом элементе. Установите новый элемент. Прикручивайте сепаратор только вручную.

Рис. 5.7. Замена сепарационного элемента

5.8 Очистка радиатора



Рис. 5.8. Очистка радиатора

Для доступа к радиатору (1) снимите лицевую или правую панели.

Старайтесь регулярно чистить радиатор для поддержания эффективного охлаждения.

Удалите любые частицы грязи из радиатора при помощи волоконной щетки; затем направьте на радиатор струю сжатого воздуха снизу-вверх, угол между струей воздуха и плоскостью радиатора должен быть примерно 90°.

5.9 Проверка всасывающего клапана

Для проведения проверки всасывающего клапана, снимите воздушный фильтр как показано в пункте 5.5. Далее откройте рукой шиберную заслонку, убедитесь в плавности ее хода и возможности полного открытия. В случае заедания или неполного хода заслонки замените клапан на новый.

5.10 Обслуживание электродвигателя

В процессе эксплуатации компрессора в подшипники двигателя необходимо добавлять свежую пластичную смазку, разработанную для применения в подшипниках качения. Смазку следует добавлять с помощью специального шприца для пластических смазок через масленки, расположенные в крышках подшипника двигателя. Объем добавляемой смазки можно рассчитать по формуле:

$$D^2_{\text{Вал двигателя}} (\text{мм}) \times 0.005 = M_{\text{(масса смазки)}} (\text{г}).$$

Не переполняйте смазкой подшипники сверх нормы, т.к. во время работы двигателя вся лишняя смазка будет выдавлена из подшипника внутрь двигателя.

6. Устранение неисправностей

6.1 Возможные неисправности

Проблема	Возможная причина	Корректирующие действия
Компрессор запускается с задержкой. Электродвигатель медленно набирает скорость	Ремни перетянуты	Обеспечьте ремням соответствующие натяжение. Смотри п. 5.3.
	Густое масло	Замените масло
Присутствует свист во время работы компрессора	Проскальзывает ремень	Обеспечьте ремням соответствующие натяжение. Смотри п. 5.3.
Компрессор не запускается. На блоке управления индикация температурной блокировки	Температура окружающего воздуха не соответствует необходимой (ниже +5°C или выше +40°C)	Обеспечьте необходимую температуру воздуха в помещении, где установлен компрессор.
Компрессор перегревается	Недостаточная вентиляция помещения, в котором установлен компрессор	Увеличьте циркуляцию воздуха
	Слишком низкий уровень масла	Долейте масло (п. 5.2).
	Загрязнен радиатор	Продуйте радиатор сжатым воздухом (п. 5.8)
Срабатывает предохранительный клапан	Загрязнён сепаратор	Проведите ТО с заменой сепаратора
	Слишком высокое давление (более 13 бар)	Установите рабочее давление ниже 13 бар

7. Хранение и утилизация

7.1 Хранение

Допускается при температуре от -20° до +50° C при относительной влажности не более 85%.

7.2. Утилизация

Утилизация технологического конденсата: Технологический конденсат содержит масло. Сливайте конденсат в специальные сборщики. Сменные элементы сборщика технологического конденсата утилизируйте как промасленный обтирочный материал.

Утилизация масляных фильтров, сепараторов: Не допускайте попадание остатков масла на почву, в канализацию и водоемы. Сдавайте масляные фильтры и сепараторы на утилизацию в герметичной таре.

Утилизация воздушных фильтров: Сдавайте на утилизацию отдельно от промасленных отходов.

Утилизация отработанного масла: Производите в герметичной таре. Не допускайте попадание масла на почву, в канализацию и водоемы.